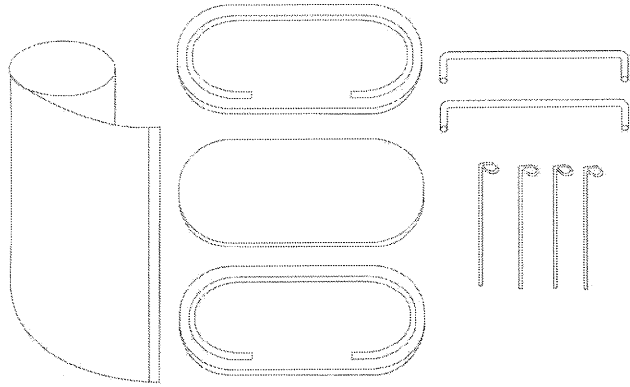
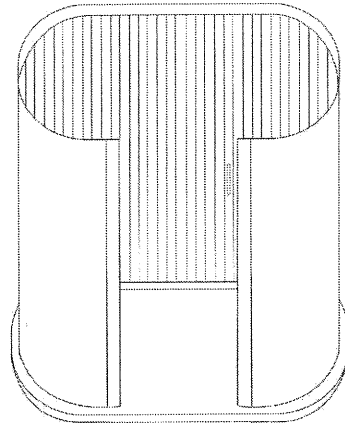


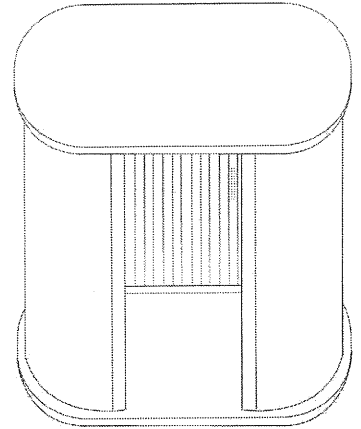
Assembly Instruction



1. Remove the above components from the package.



2. Position the base on the ground and wrap the plastic siding around using the Velcro attachments until the entire side panel is attached to the base



3. Add the countertop to the side paneling, making sure the Velcro is securely attached.