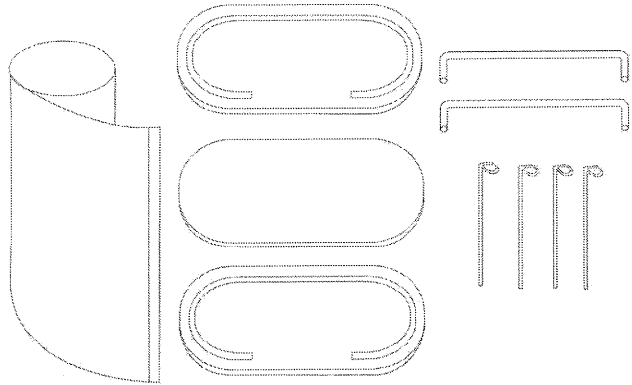
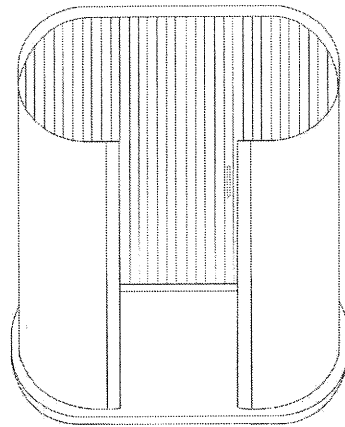


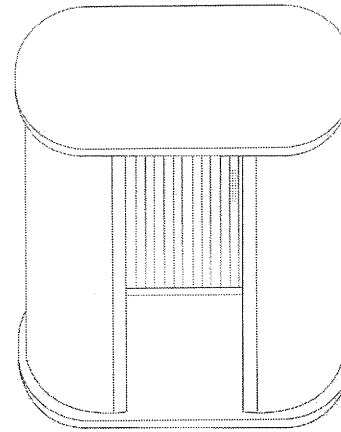
Assembly Instruction



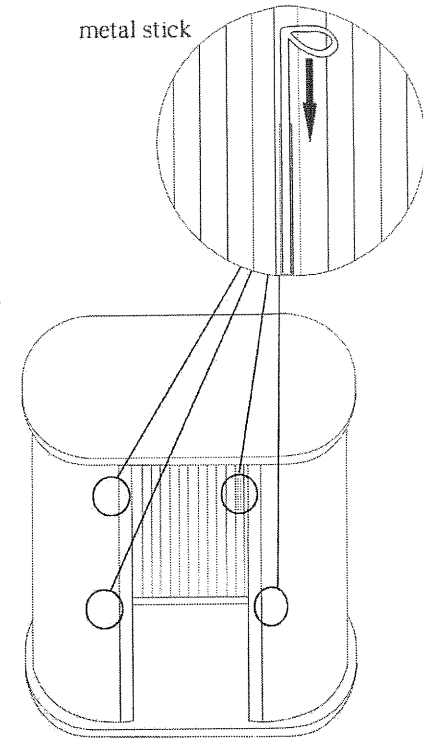
1. Remove the above components from the package.



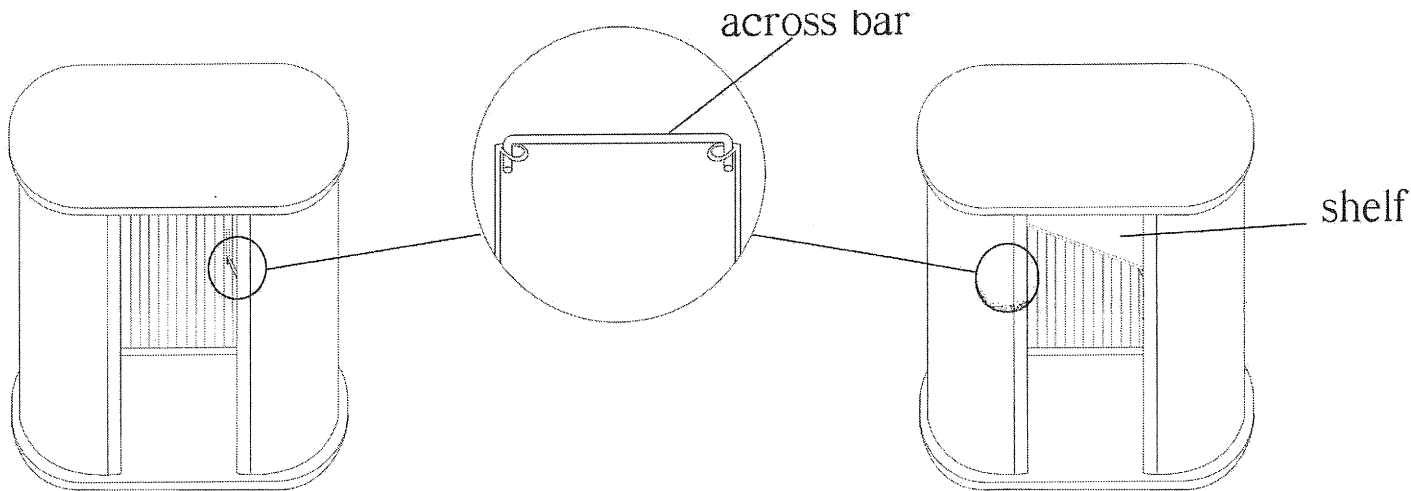
2. Position the base on the ground and wrap the plastic siding around using the Velcro attachments until the entire side panel is attached to the base



3. Add the countertop to the side paneling, making sure the Velcro is securely attached.

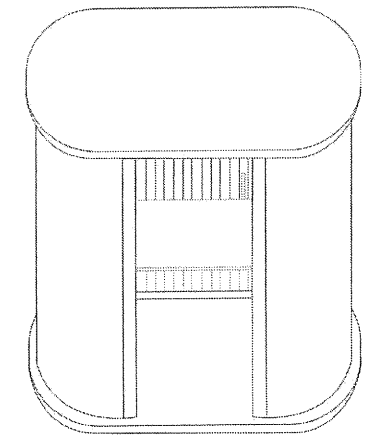


4. Insert the metal stick into the 4 holes as above showed, please make sure it is inserted vertically or else the panel would be pierced.



5. Put just one across bar inside the counter as image showed. Not put the other across bar yet because you need space to put the shelf in.

6. And then your shelf.



7. Now you can mount the other across bar in as the first bar do to hold the shelf.