


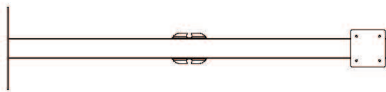

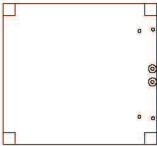

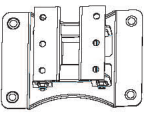
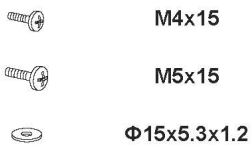
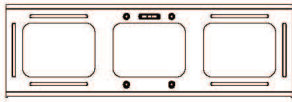
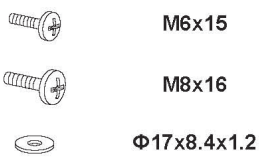


# Plasma/LCD TV Stand Assembly Instruction

 max. 32" - 70"(81-178 cm)

 max. 45kg(99lbs)

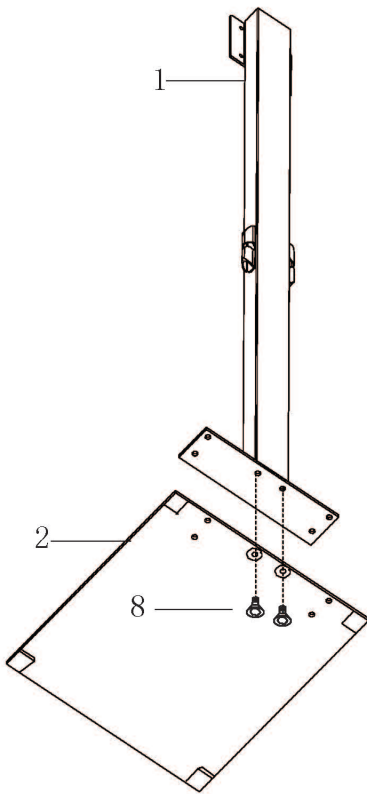
Mount Pattern VESA : 600x400

## ▶ PARTS INCLUDED

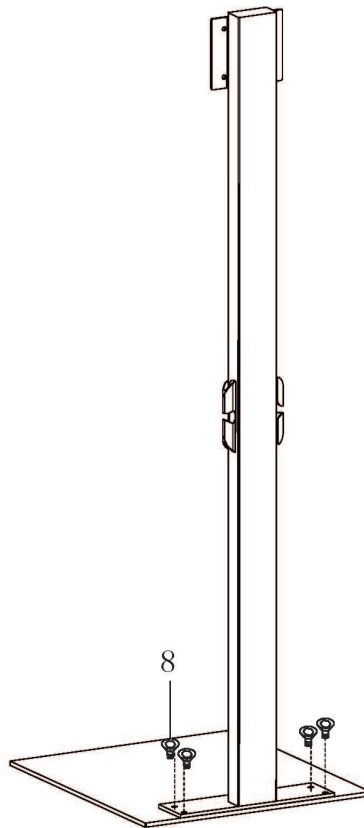
NO.	Description	Qty.	NO.	Description	Qty.
1		1	7	 S=4mm	1
2		1	8	 M8x12 M6x15 $\Phi$ 18x6.5x1.5 M6	6/4/4/4
3		1	9	 M4x15 M5x15 $\Phi$ 15x5.3x1.2	4 4 8
4		1	10	 M6x15 M8x16 $\Phi$ 17x8.4x1.2	4 4 8
5		1/1			
6	 S=5mm	1			

# ▶ INSTALLATION

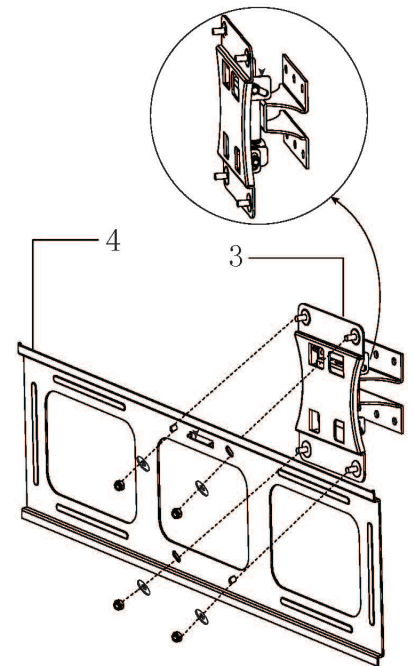
①



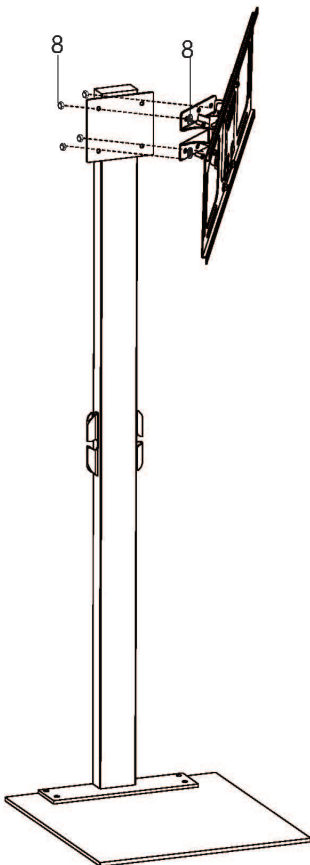
②



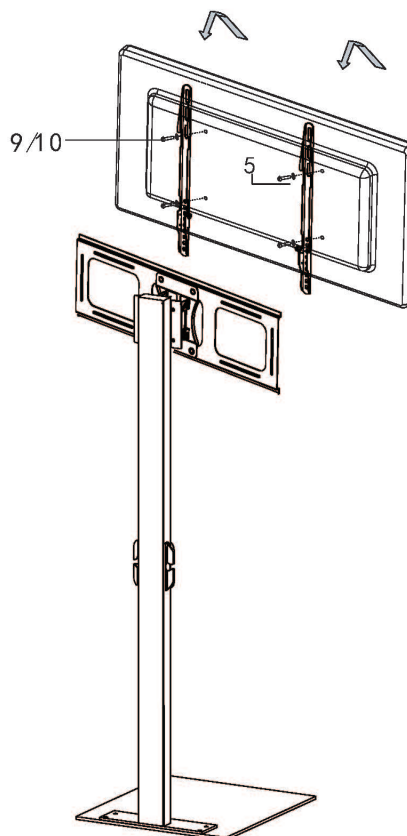
③



④



⑤



⑥

