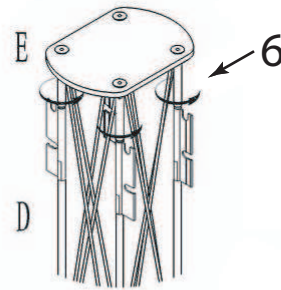
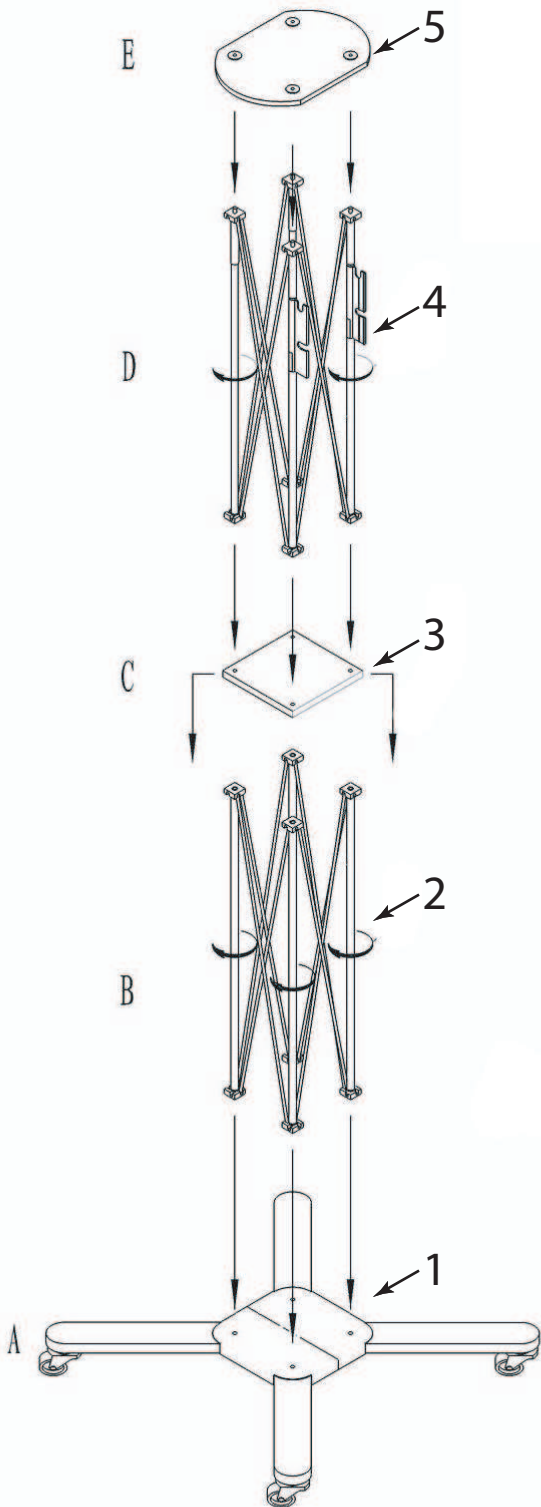


# TRSMBPOLSV/BK Assembly Instructions

## TRUSS Parts List

Part	ID	QTY
Base	A	1
Bottom Truss	B	1
Middle Plate	C	1
Top Truss	D	1
Top	E	1

Not Shown:  
Carry bag, part bags and TV brackets.



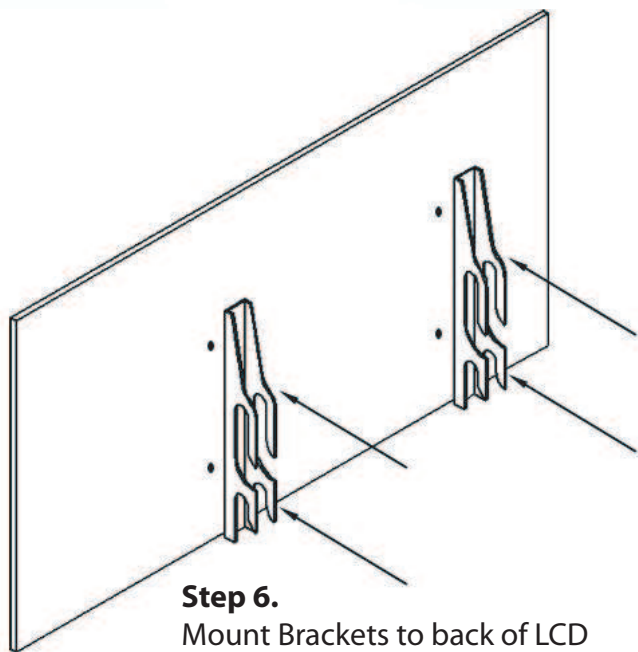
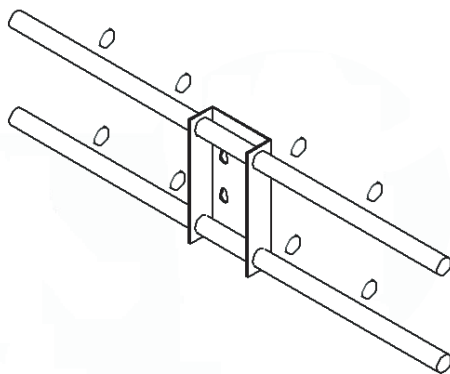
Unfold Base (A) and expand each Truss section (B,C,D). Assemble in order shown, steps 1-6. Screwing sections together by twisting uprights of each truss in direction of arrows shown.

Check all connections are tight before mounting TV/monitor to stand.

# TRSMBPOLSV/BK Assembly Instructions

## Step 4.

Place O-Rings on rails. Spread O-rings on each rail apart so they will not interfere with LCD mounting.



## Step 6.

Mount Brackets to back of LCD screen using appropriate hardware.

Hooks on brackets to point down as shown.

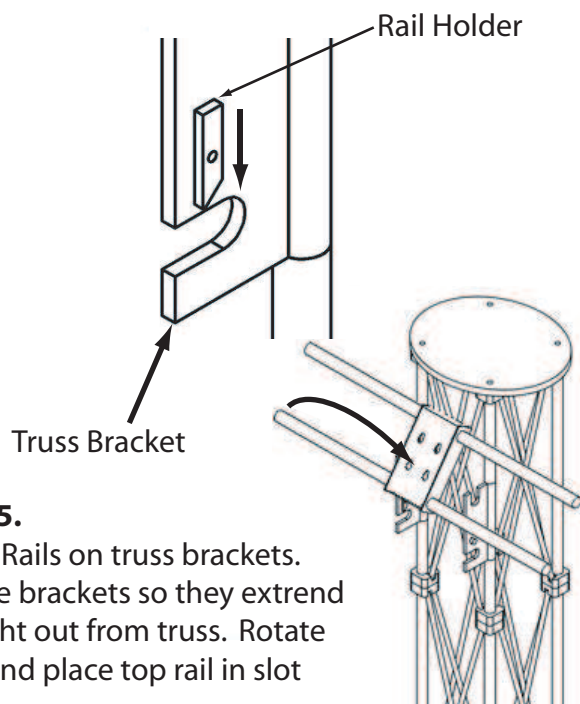
## Step 7.

With two people, lift LCD screen and hook brackets on rails as shown.

Check to ensure LCD screen is centered on rails, and all four hooks are engaged to rails. Tighten lock bolts to secure screen.

Slide O-rings up against each side of LCD brackets.

Repeat for second LCD screen if desired.



## Step 5.

Place Rails on truss brackets. Rotate brackets so they extend straight out from truss. Rotate rails and place top rail in slot

Rotate bottom rail into slot.

Loosen bottom rail holder on both brackets and slide down to engage bottom rail. Tighten screw.

