

Assembly Instructions

TWRT SERIES

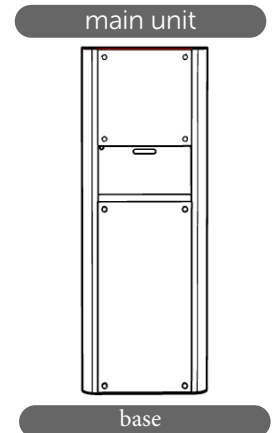
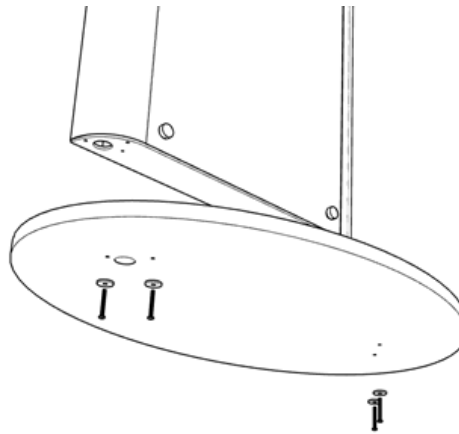
DISPLAYS2GO

NOTE: Blue film is to protect the surface of the acrylic from scratching.
After assembling the unit, peel off protective film attached to acrylic.

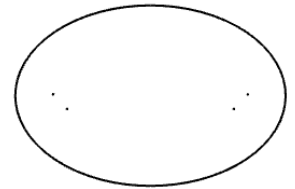
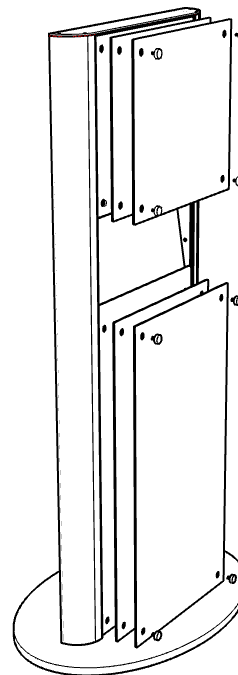
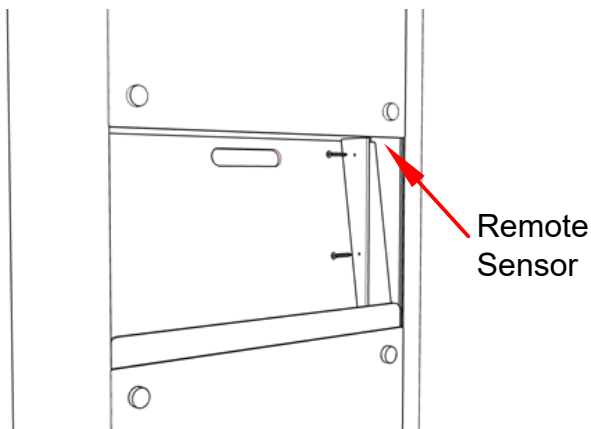
- 1 Attach base using provided bolts and washers. Run cord through base. To aid installation place main unit on elevated surface such as table.



NOTE: 2 people are recommended for this step.



- 2 To access wires, remove both screws holding shelf bracket on each side, remove bracket. It may be necessary to loosen bottom acrylic panels.



bolts



x4

washers



x4

- 3 Sandwich artwork between two acrylic panels by removing four standoffs.

- NOTE: 1. HDMI, USB, SD card slot and manual on/off switch are on bottom of screen. For ease of access the bottom two standoffs of the top panel can be loosened.
2. The remote sensor is located in the top right corner of the charging shelf.
 3. If you are uncertain about the installation or have any questions on the product, please contact DISPLAYS2GO customer service.