

Assembly Instruction for 3-shelf Utility Cart With Side Panels

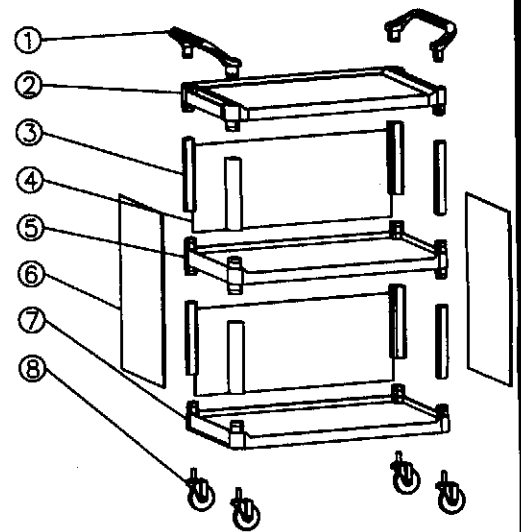
Remarks

Before assembly, please:

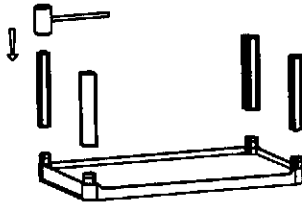
1. read this instruction carefully.
2. prepare A rubber hammer.
3. note that the front and back of panels.

components

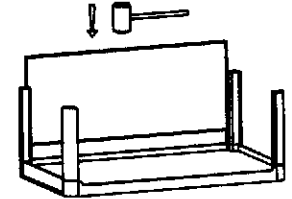
1. handle	2PCS
2. top shelf	1PC
3. aluminium rod	8PCS
4. back panel	2PCS
5. middle shelf	1PC
6. side panel	2PCS
7. bottom shelf	1PC
8. caster	4PCS



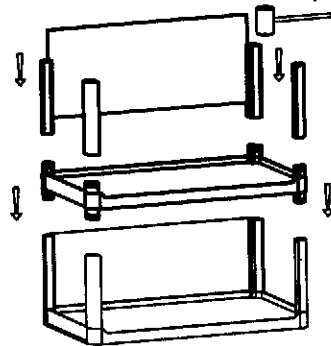
1. wedge 4PCS aluminium rod above bottom shelf.



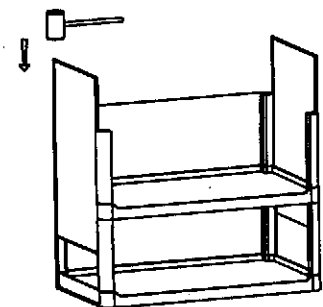
2. slide 1PC back panel into grooves on aluminium rods.



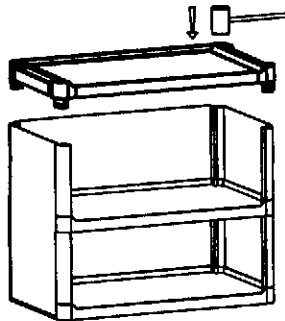
3. wedge middle shelf on aluminium rods, and wedge other 4PCS aluminium rod, then slide in another 1PC back panel.



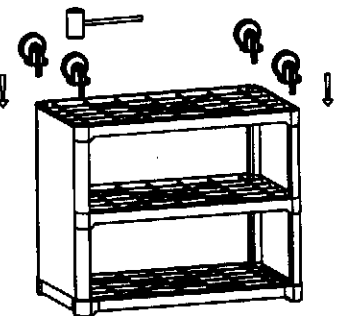
4. slide in 2PCS side panel.



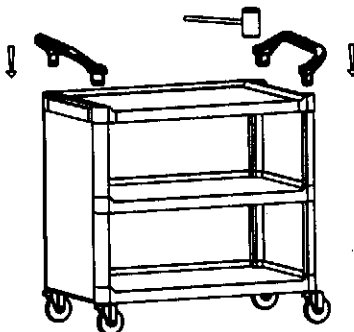
5. wedge top shelf.



6. turn the cart upside down and plug in 4PCS caster.



7. turn over the cart and plug in 2PCS handle.



8. assembly completed.

