

# Assembly Instruction for 3-shelf Utility Cart

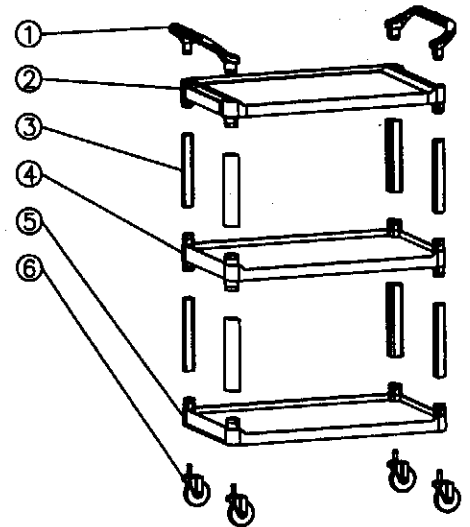
**Remarks**

Before assembly, please:

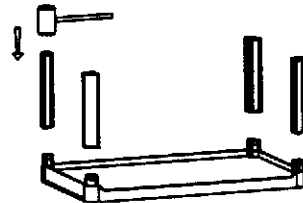
1. read this instruction carefully.
2. prepare A rubber hammer.

**components**

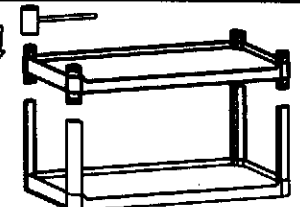
- |                  |      |
|------------------|------|
| 1. handle        | 2PCS |
| 2. top shelf     | 1PC  |
| 3. aluminium rod | 8PCS |
| 4. middle shelf  | 1PC  |
| 5. bottom shelf  | 1PC  |
| 6. caster        | 4PCS |



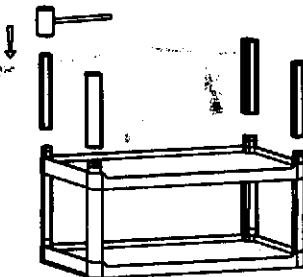
1. wedge 4PCS aluminium rod above bottom shelf.



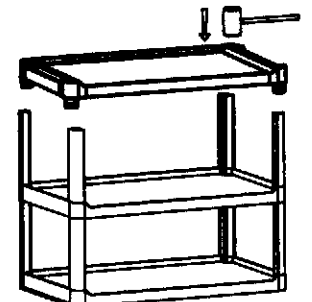
2. wedge middle shelf on aluminium rods.



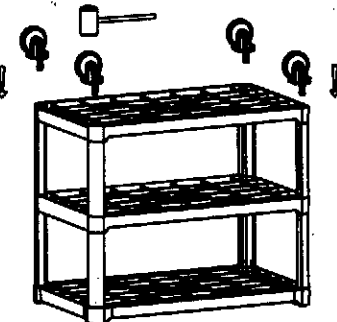
3. wedge other 4PCS aluminium rod above middle shelf.



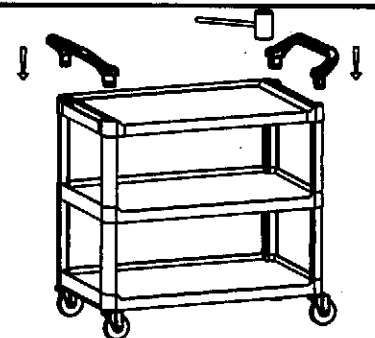
4. wedge top shelf.



5. turn the cart upside down, plug in 4PCS caster.



6. turn over the cart then plug in 2PCS handle.



7. assembly completed.

