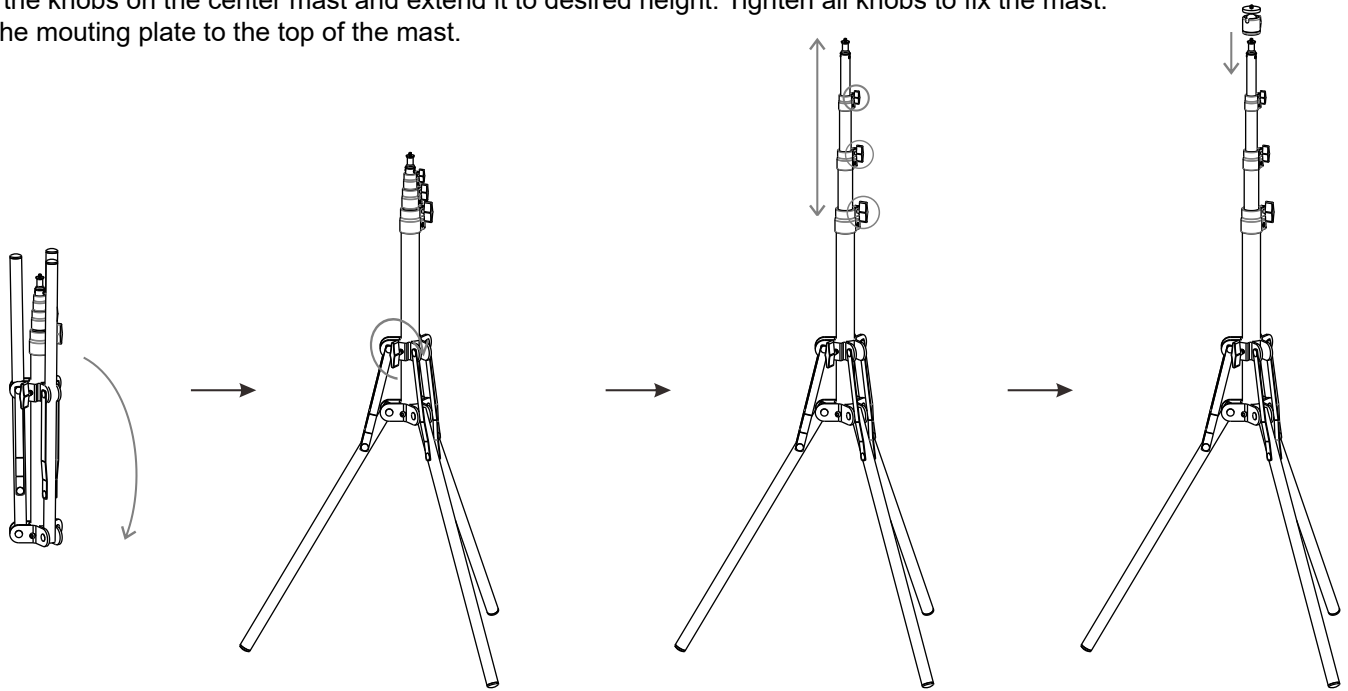


# ASSEMBLY INSTRUCTIONS

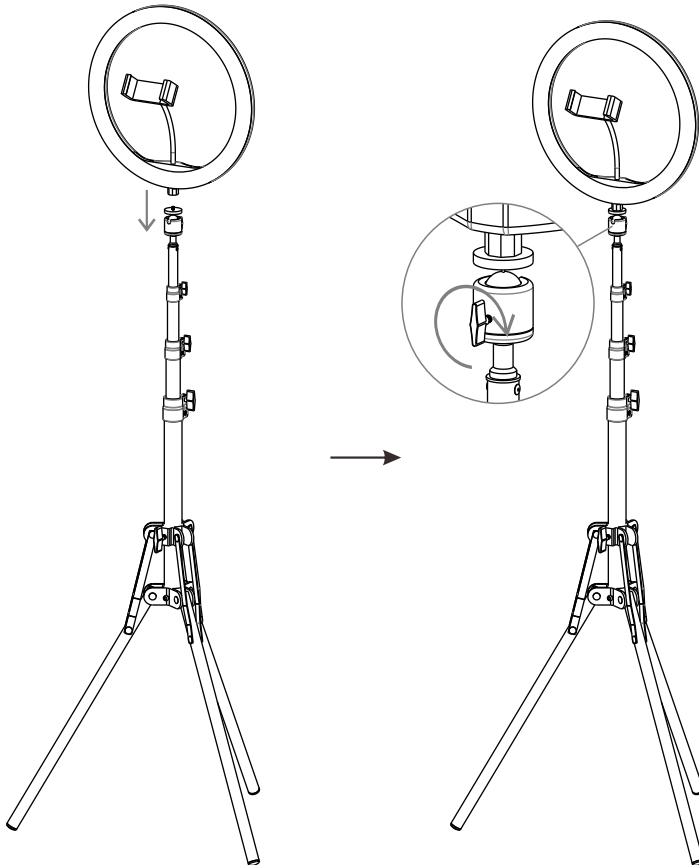
## VIDHSKIT - Video Home Streaming Studio

Rev. 20.10

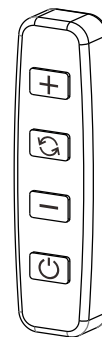
1. Deploy tripod stand by folding down 3 legs on a flat ground. Adjust the legs and then tighten the knob to lock it in place. Loosen the knobs on the center mast and extend it to desired height. Tighten all knobs to fix the mast. Attach the mounting plate to the top of the mast.



2. Mount the ring light with the phone holder to the mounting plate. Adjust the angle of the ring light and tighten the knob on the mounting plate to fix it in place. Secure your device in the phone holder and connect it with the charging cable and AC adapter as needed.



### Ring Light Remote Control



- +
- Color Temperature
- 
- ON/OFF

See IPBOOTHREM for details on how to use Bluetooth Remote Shutter.

Scan QR code to visit the product page:

