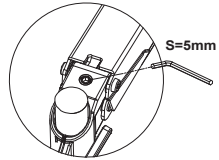
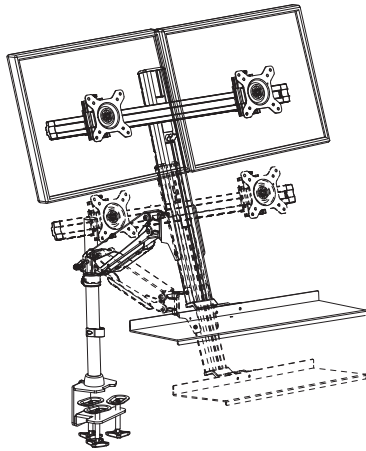


8

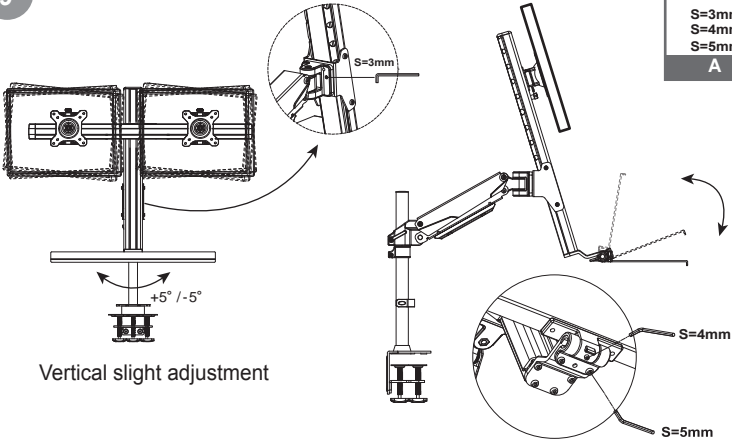


**NOTE:** Turn clockwise to reduce tension for lighter monitors and counter-clockwise to increase tension for heavier monitors.



Use a hex wrench to adjust the height tension of the gas spring arm, to keep different weight of monitors still at any position.

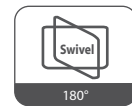
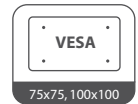
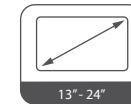
9



Vertical slight adjustment

Use a hex wrench to adjust the two screws below the keyboard tray  
If you want to adjust the tension.


Sit-Stand counter-balance LCD Desk Mount




# Installation **INSTRUCTIONS**

## WARNING STATEMENTS


### Warning

-  Prior to the installation of this product, the installation instruction must be read and completely understood. Failure to do so may result in personal injury, property damage or voiding of factory warranty.


---

-  Do not install on a structure that is prone to vibration, movement or chance of impact. Reinforce the structure as required before installation.


---

-  The desk clamp can support a maximum thickness of 9 cm. Confirm the desk edge before installation.

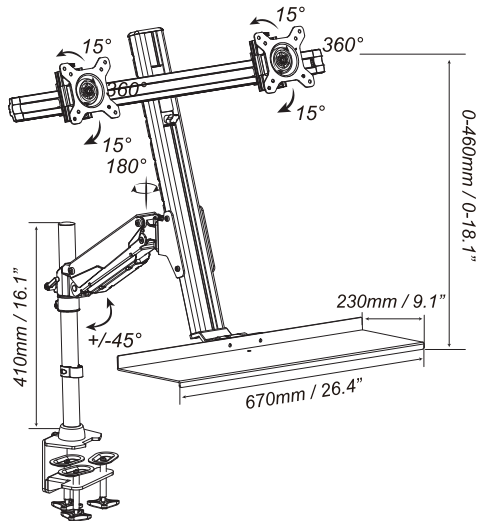
---

-  Pay attention to the weight capacity of the mount. Exceeding the limitation can result in function unworkable or even serious personal injury and property damage.

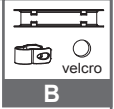
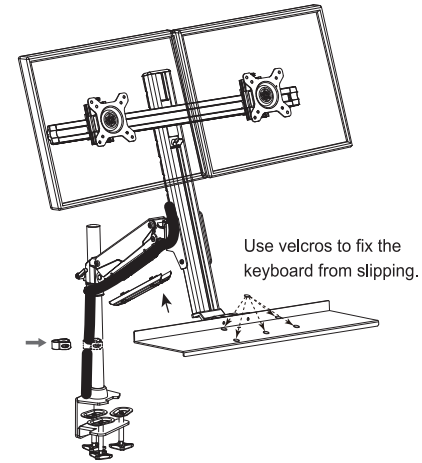
---

-  Never operate the mount if parts are missing or damaged. Contact your local service center for warranty service.

## PRODUCT LINE GRAPH

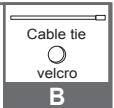
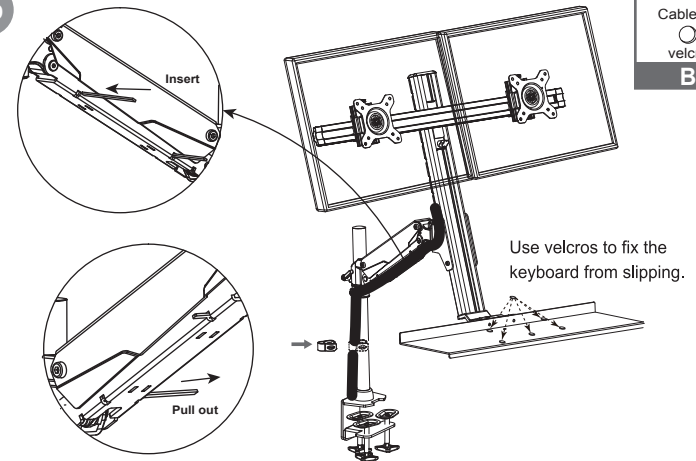


7a



Use cable cover to manage small number of cables.  
Use cable clip to limit cables close to steel pipe.

7b



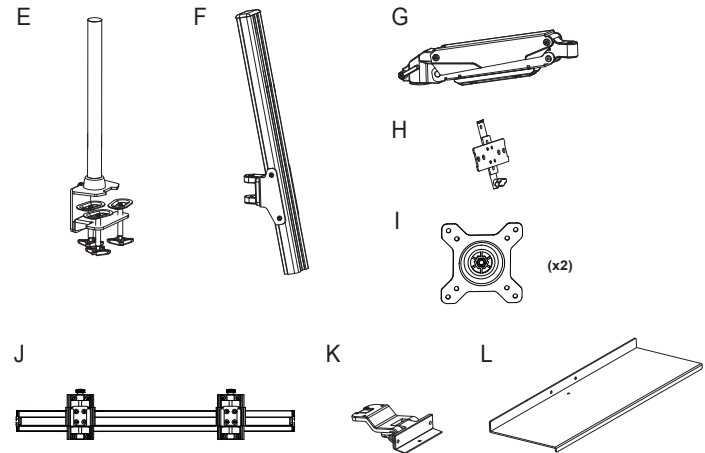
Use cable tie to manage large number of cables.  
Use cable clip to limit cables close to steel pipe.

## TOOLS REQUIRED NOT INCLUDED

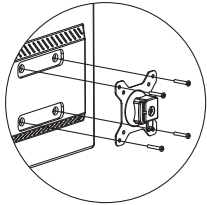
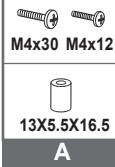
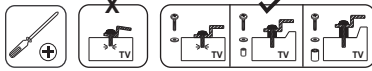


## PARTS INCLUDED

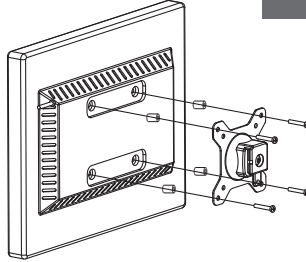
A	B	C	D
<p>M4x12 (x8)</p> <p>M4x30 (x8)</p> <p>13X5.5X16.5 (x8)</p>	<p>(x2)</p> <p>(x5)</p>	<p>S=3mm (x1) S=4mm (x1) S=5mm (x1)</p> <p>M8x60(x1)</p> <p>(x2)</p> <p>M8(x1)</p> <p>13x8x9.5(x1)</p>	<p>M8x12 (x4)</p> <p>M6x8 (x3)</p> <p>M6x15 (x4)</p>



5



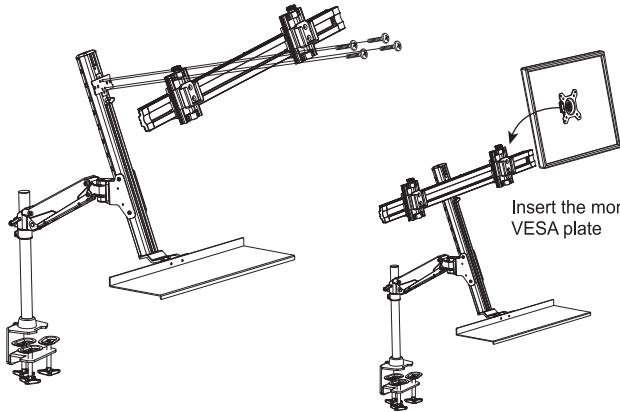
OR  
→



Flush surface installation: Install 4 screws through faceplate to monitor via mounting holes.

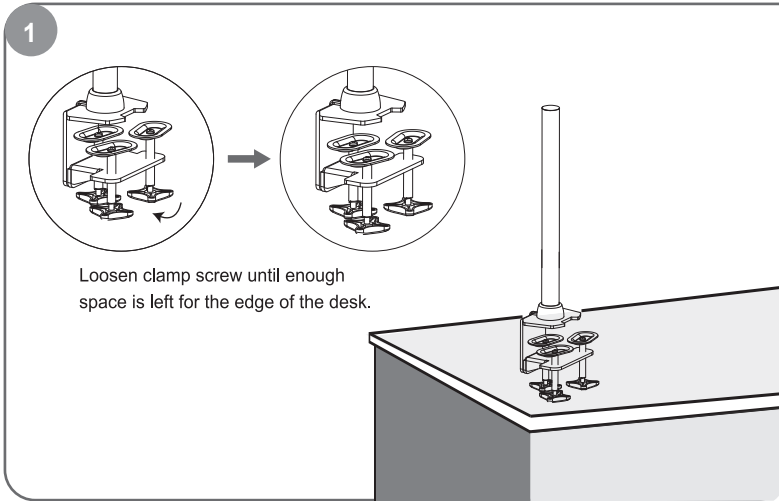
Recessed surface installation: Put 4 spacers between faceplate and monitor. Install 4 screws through faceplate, spacers to monitor via mounting holes.

6

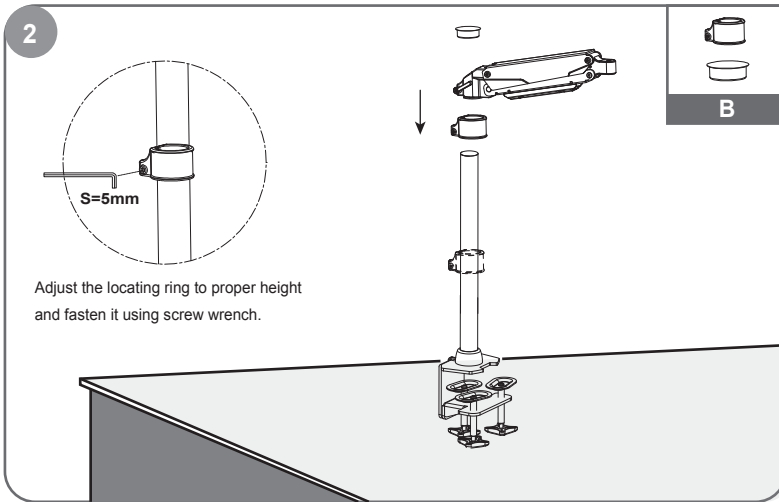


Insert the monitor with VESA plate

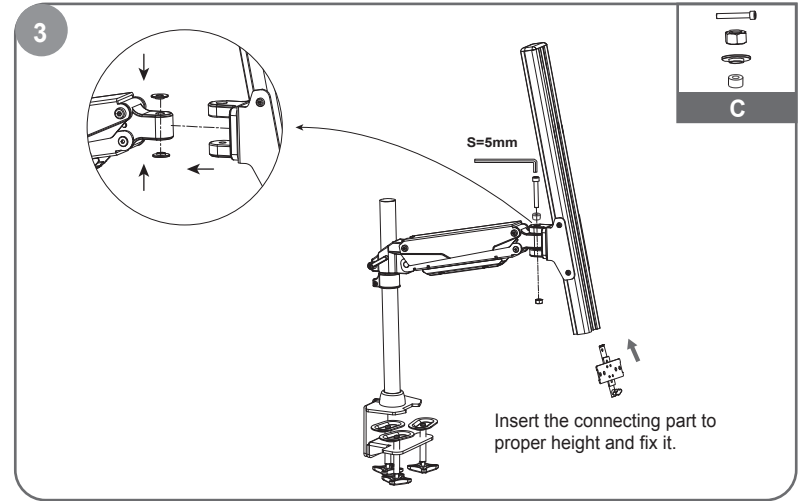
Attach the aluminum profile to the connecting part.



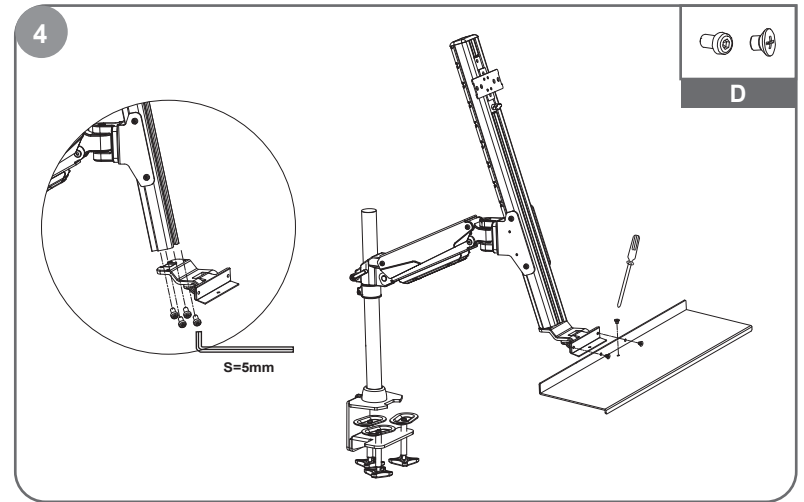
Tighten clamp using clamp screw until mount is securely fastened to desk.



Lift the gas spring arm and put it on the locating ring and then insert the pole cover.



Connect the aluminum profile component with the gas spring arm.



Connect the keyboard tray with the aluminum profile component.