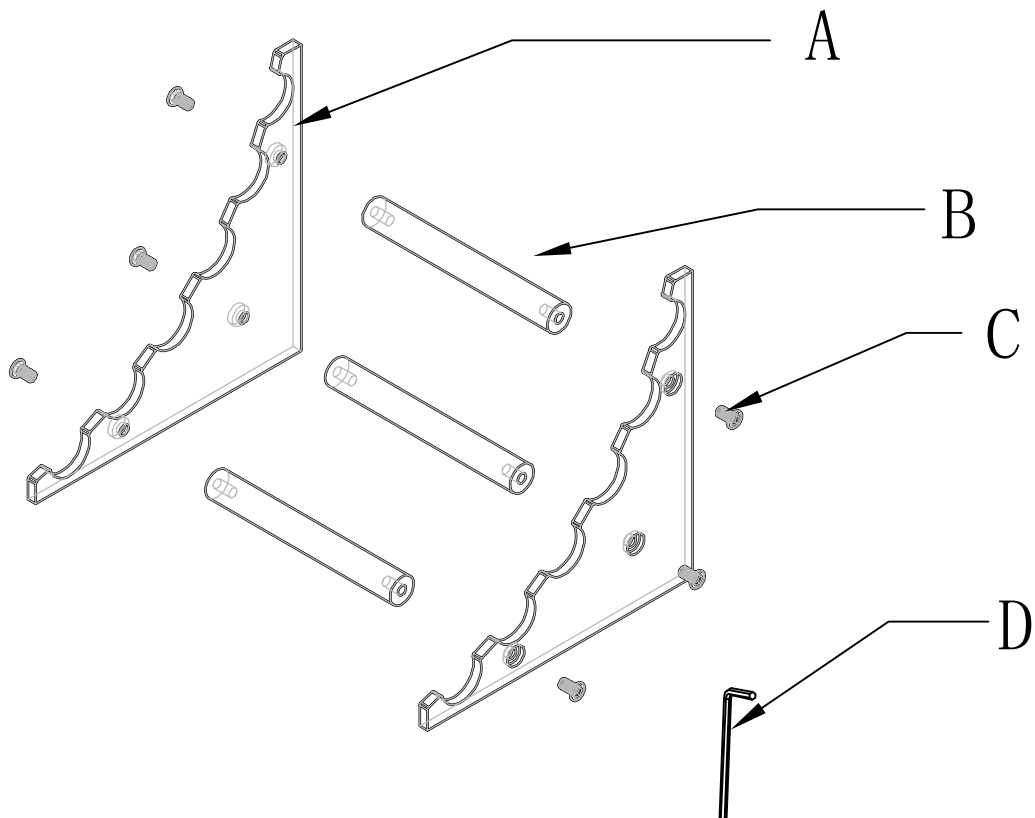
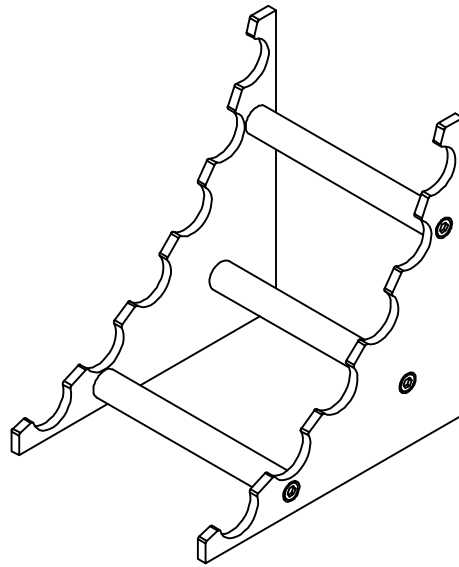


VPACRCNTR1



PART	NAME	Quantity
A	Side panel	2 PCS
B	Round pole	3 PCS
C	Screws	6 PCS
D	Allen Key	1 PC