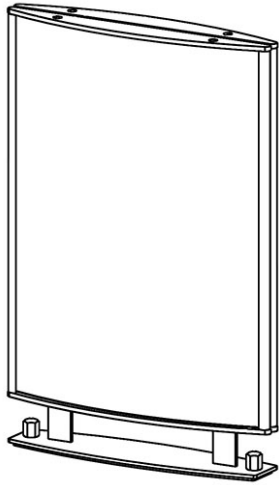


ASSEMBLY INSTRUCTIONS

CURVED WALL/CEILING SIGN HOLDER, DOUBLE SIZED

PARTS INSIDE THE BOX:



CURVED SIGN HOLDER (X1)



WALL SCREW (X2)

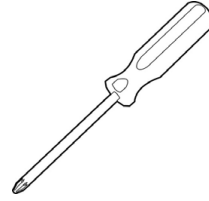


PLASTIC ANCHOR (X2)

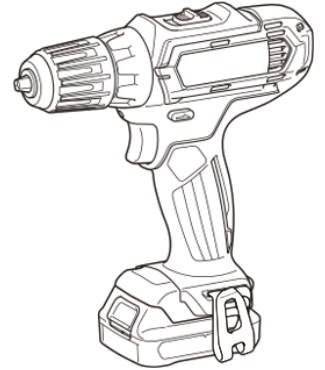


SUCTION CUP (X1)

TOOLS NEEDED:

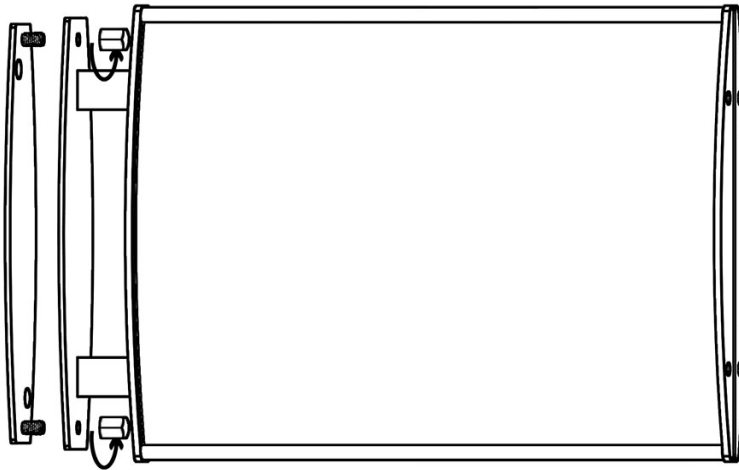


PHILLIPS
SCREW DRIVER

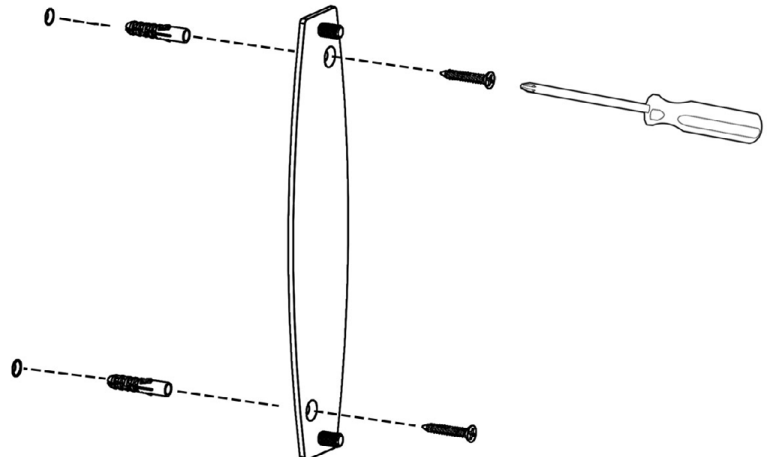
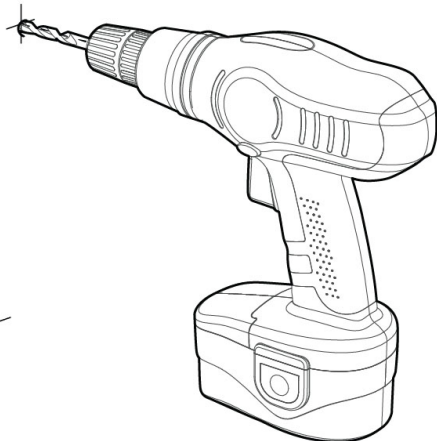


POWER DRILL

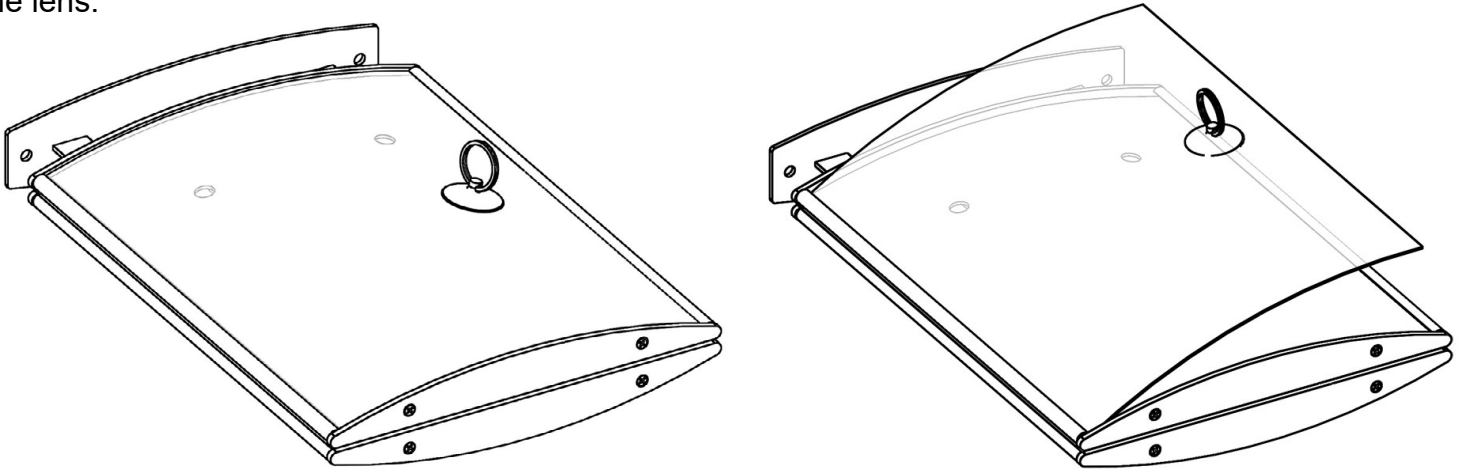
Step 1. Detach the mounting bracket from the sign holder by loosening (2) hex nuts.



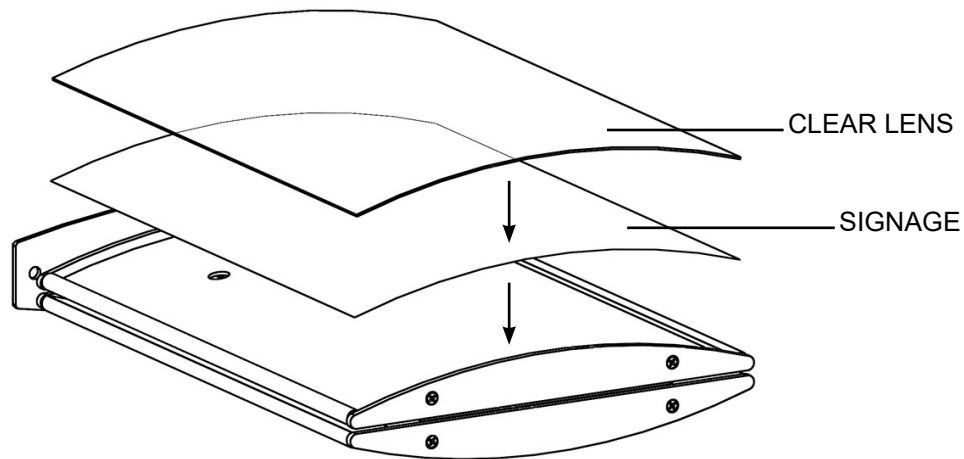
Step 2. Attach the mounting bracket to desired place, mark drilling position through holes on the bracket. Drill holes and insert plastic anchors, then securely mount the bracket onto the wall/ceiling. Use of a bubble level is recommended to help keeping the bracket perpendicular to the ground.



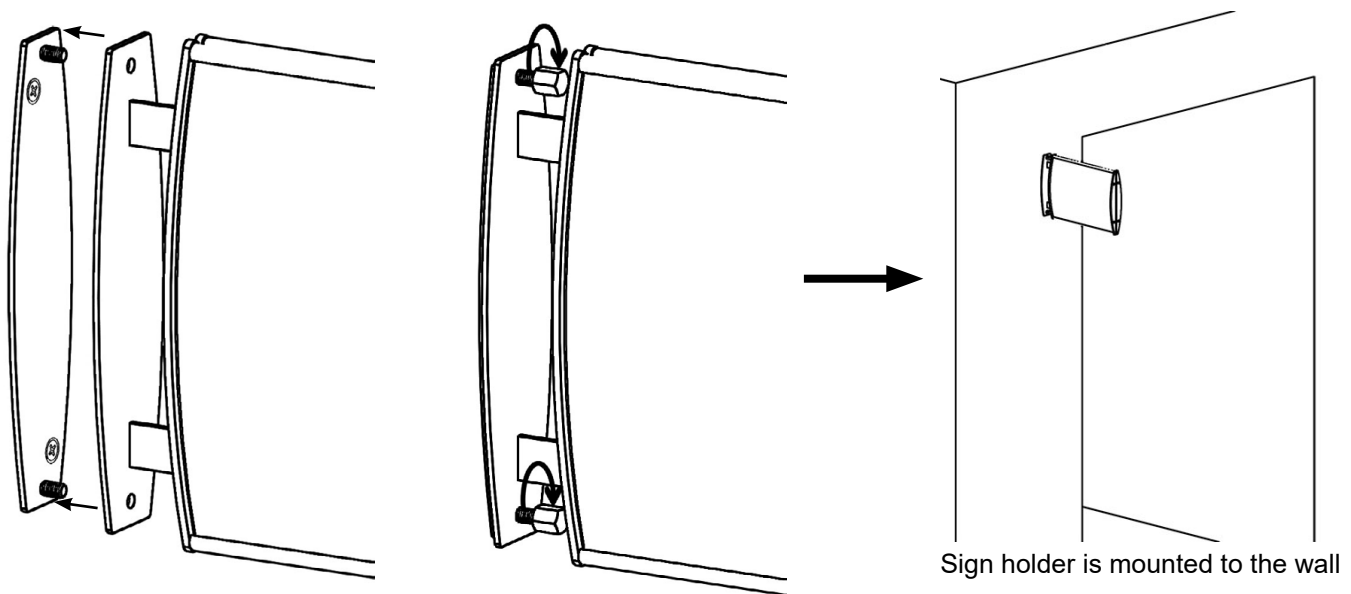
Step 3. Press the suction cup provided against the lens tightly, then pull the ring on top of it to pull out the lens.



Step 4. Insert your graphic/signage from one end first, then slightly bend the page on the other end to attach it with the graphic holder fully. Replace the lens back into the graphic holder. Repeat steps 3 & 4 get the other side ready.



Step 5. Place the sign holder onto the mounted bracket. Tighten (2) hex nuts back on the studs securely.



THIS INSTRUCTION IS FOR ALL DOUBLE SIDED, CURVED SIGN HOLDERS.