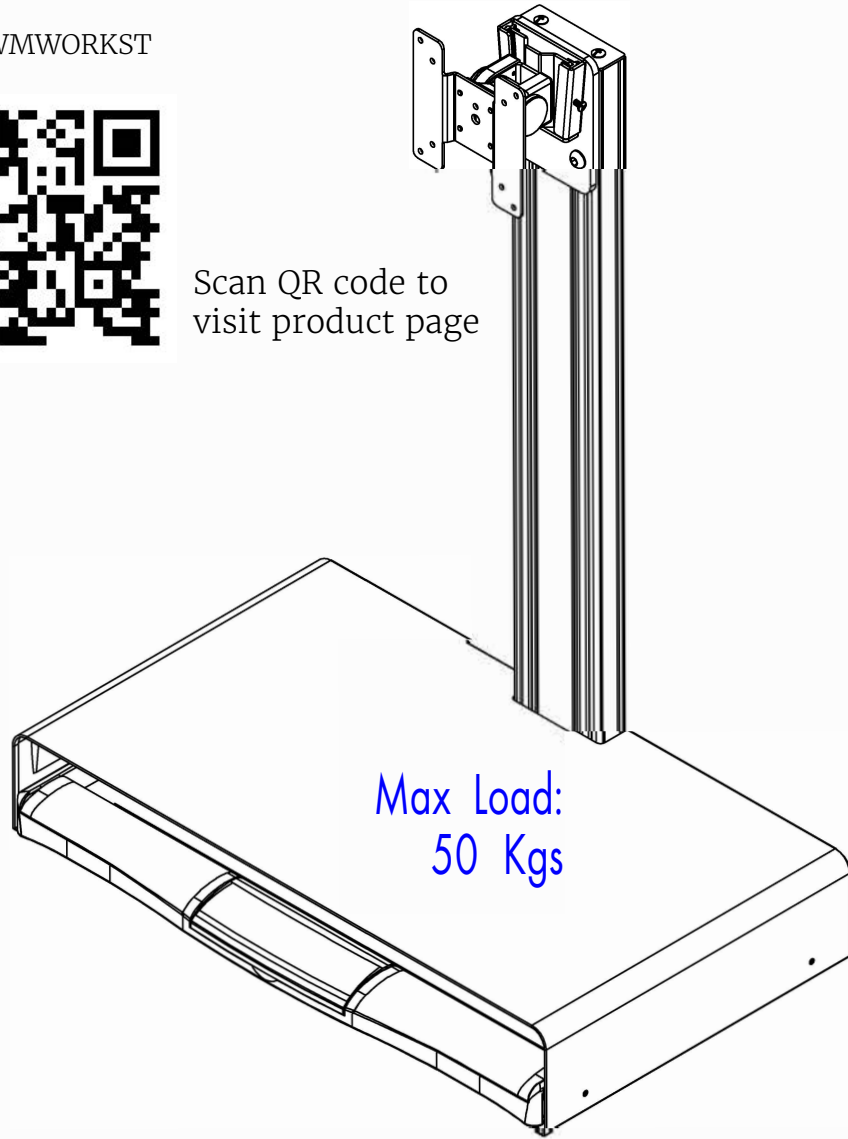


Wall-Mounted Work Station
Assembly Instructions

SKU: WMWORKST



Scan QR code to
visit product page



If you have any questions regarding our products, please visit us at www.displays2go.com or contact D2G customer service at 844-221-3388.

Max Load for LCD monitor: 15 Kgs

Part List:

