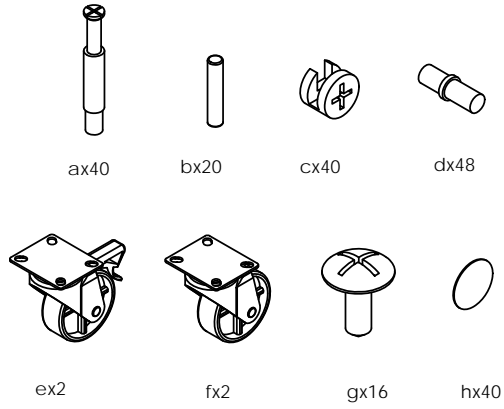
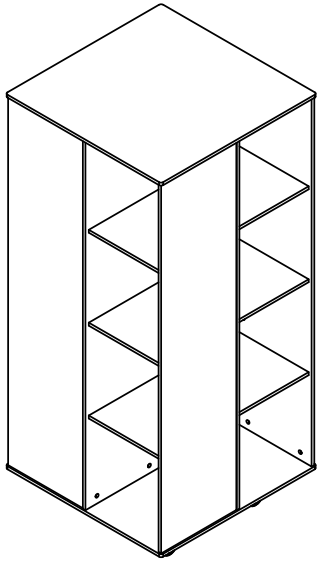
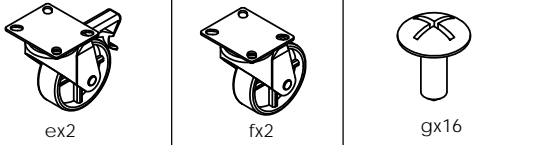
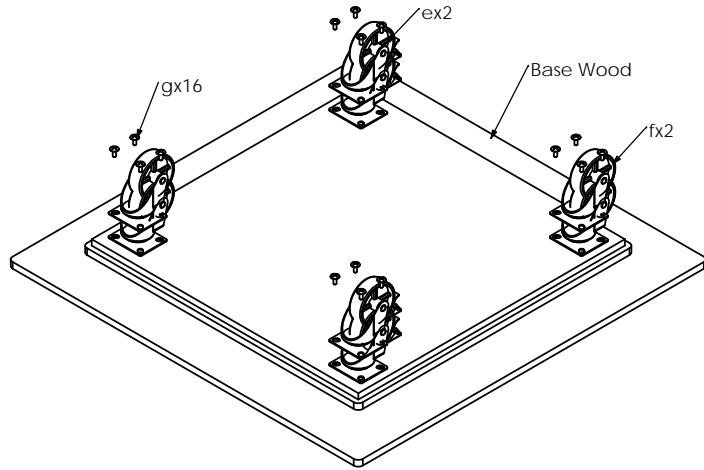


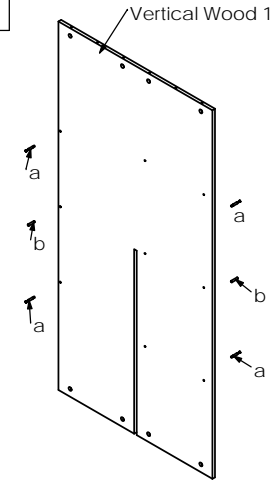
# WINFLSPBRN20 INSTRUCTION



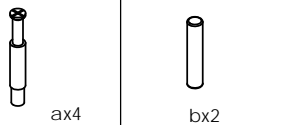
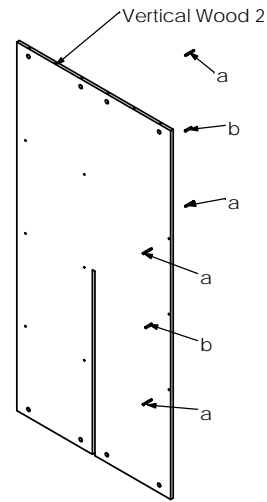
1



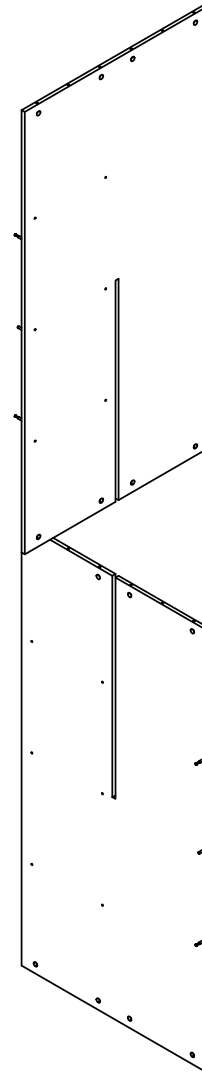
2



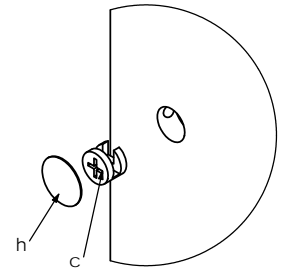
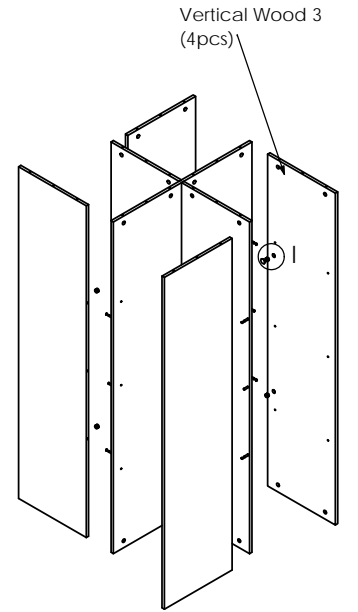
3



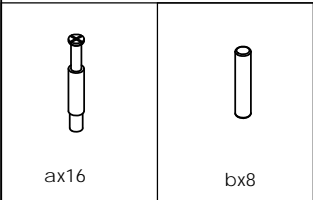
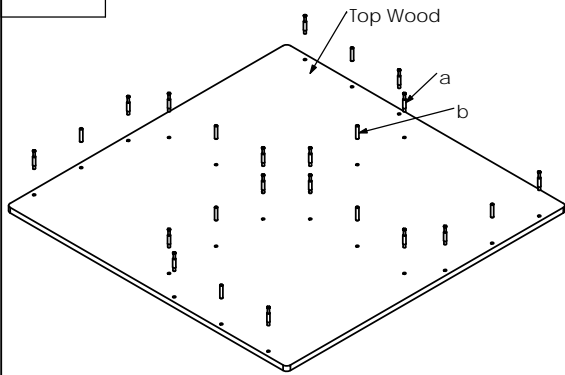
4



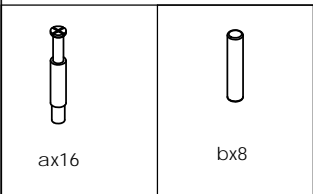
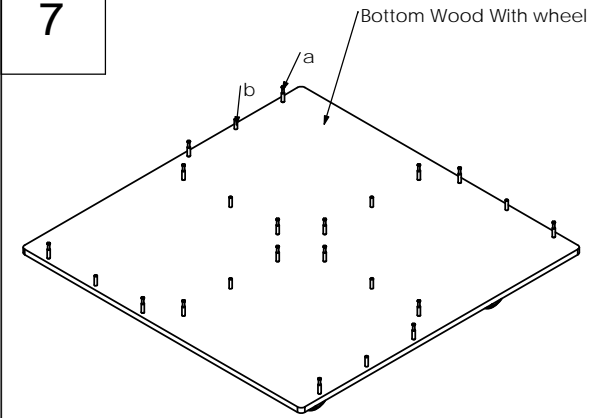
5



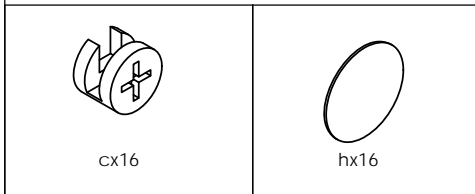
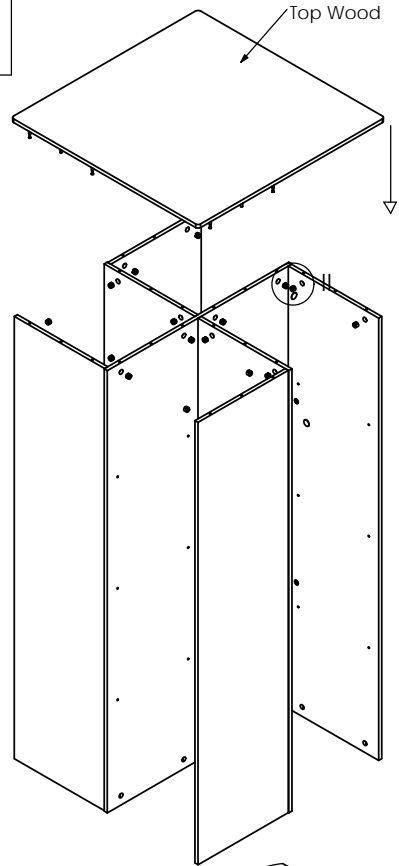
6



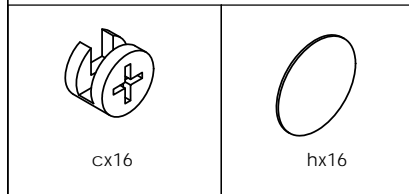
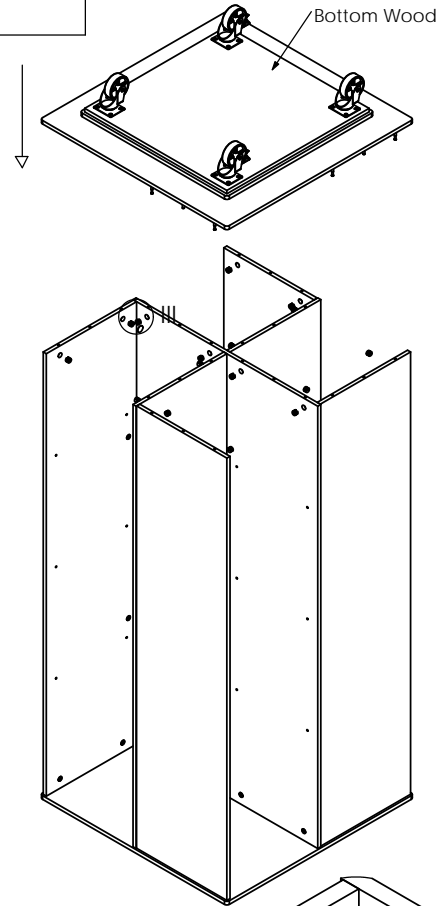
7



8



9



10

