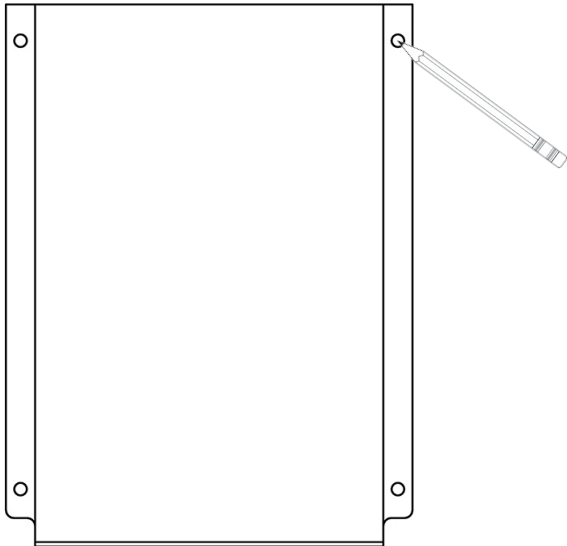
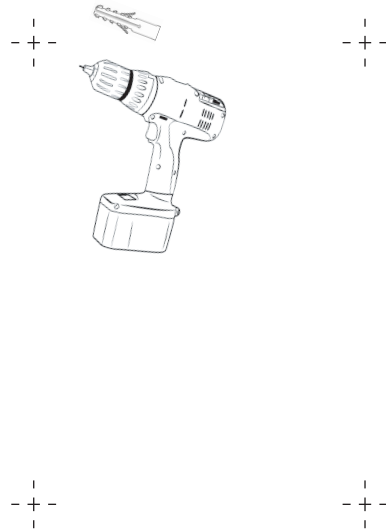


1. Place the sign holder at the desired location and mark the center of each hole with a pencil.



2. Drill holes at all marked points with a power drill and insert wall anchors.

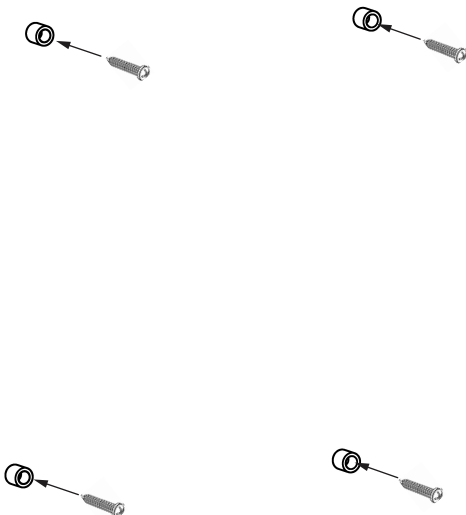


NOTE: This mounting method is for drywall only. Choose the proper hardware that best fits your wall type.

3. Separate each standoff cap from the base.



Place 1 standoff base on the wall and secure it with the anchor screw. Fix remaining standoff bases the same way.



4. Insert your graphic print into the signage holder. Align signage holder with fixed bases and replace standoff caps.

