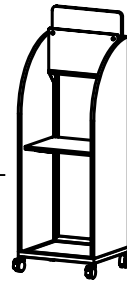


ASSEMBLY INSTRUCTION SHEET



IMPORTANT SAFETY NOTICE: READ CAREFULLY BEFORE BEGINNING ASSEMBLY!

- Always use proper tools.
- * Follow the assembly steps in order. Do not skip any steps.
- * Periodically check to ensure that all connectors (bolts, screws, etc.) are tight.
- * Keep the instruction for future reference.
- * When assembling shelves or entertainment centers, do not stand on lower shelves in order to assemble upper shelves - use a step ladder.
- * Where assembly instructions state that assembly requires two or more people, do not attempt assembly by yourself as there is a risk of injury.

CHECK TO SEE THAT THE FOLLOWING PARTS ARE IN THE HARDWARE PACK!

 SCREWS 16 PCS

 BOLTS 12 PCS

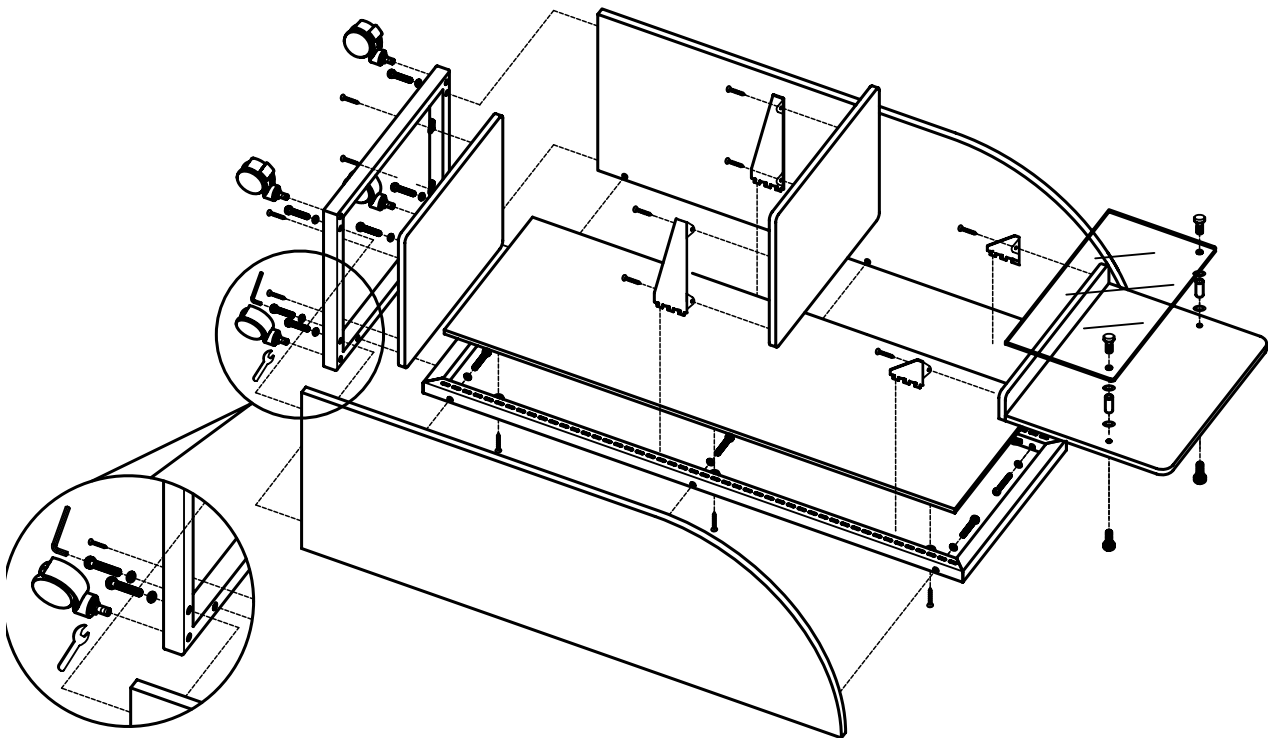
 BOLTS 2 PCS

 FLAT WASHERS 12 PCS

 5mm ALLEN WRENCH 1 PC

 OPEN WRENCH 1 PC

 NOTE: UNIT SHOULD BE ASSEMBLED BY TWO OR MORE PEOPLE.
DO NOT TIGHTEN ANY BOLTS UNTIL ALL BOLTS HAVE BEEN STARTED!



1. Remove all the parts from the box to a smooth and protective surface.
2. Connect the big metal frame with the small metal frame using the allen wrench to screw the bolts and flat washers from the bottom.
3. As shown, put one side panel onto the 2 frames and fasten it using the allen wrench to screw the bolts and flat washers through the metal frames first.
4. Repeat for the other side panel, and then tighten all the bolts.
5. Put the bottom shelf in the small frame and fasten it using 4 screws into 4 pre-drilled holes with a phillips head screwdriver. (not included)
5. Assemble the 4 wheels by turning them with open wrench.
7. Carefully stand the unit upright, then put the back panel into the frame and fasten it by turning 6 screws into 6 pre-drilled holes with a phillips head screwdriver. (not included)
8. As shown, fasten the 2 long shelf supports onto the middle shelf by turning 4 screws into the 4 pre-drilled holes. Then insert into the height adjusting slots on the big frame.
9. Assemble the acrylic onto the upper shelf with 2 special bolts.
10. As shown, fasten the 2 short shelf supports onto the upper shelf by turning 2 screws into the 2 pre-drilled holes. Then insert into the height adjusting slots on the big frame.