

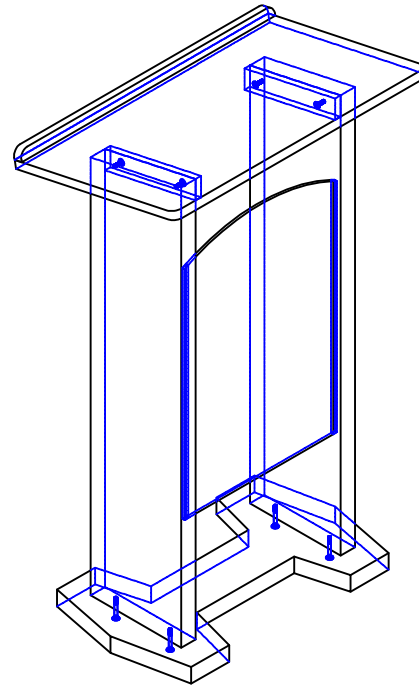
LECTWFANAO

LECTWFANMB

LECTWFAWDO

Assembly Instructions

(Requires Two People)

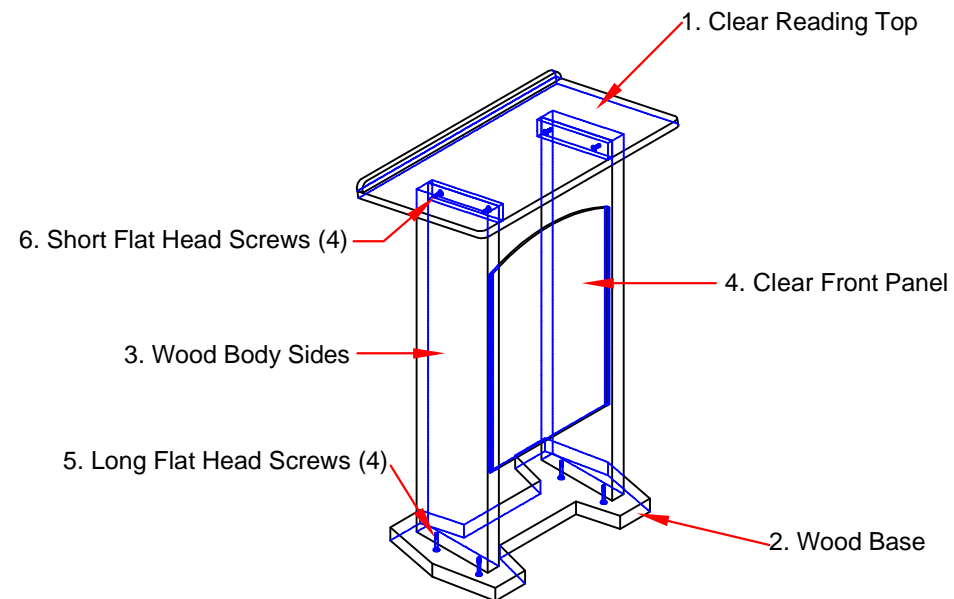


Lectern Parts:

1. Clear Reading Top
2. Wood Base
3. Wood Side
4. (2) Clear Front Panel

Hardware:

5. (4) Long Flat Head Screws
6. (4) Short Flat Head Screws
7. Philips Head Screwdriver (Not Shown)



Step#1:

Attaching the Base to the Body sides

- A) Align the pre-drilled holes in the Wood Base with threaded inserts in the Body Sides.
- B) Using the provided screwdriver, attach the Base to the Wood Sides with (4) Long Flat Head Screws as illustrated in Figure 2.

Tip: Do not fully tighten these screws until is in this step.

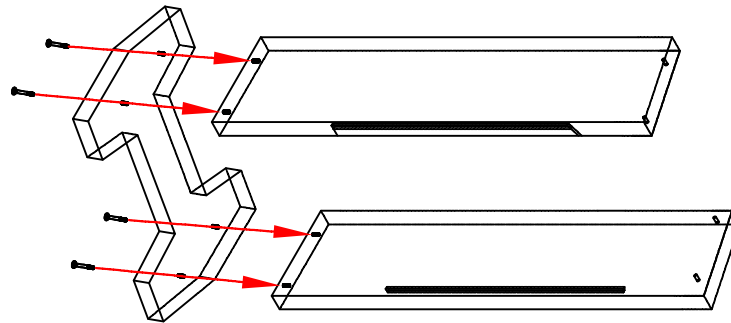


Figure 2

Step#2:
Attaching the Clear Front Panel to the Body Sides

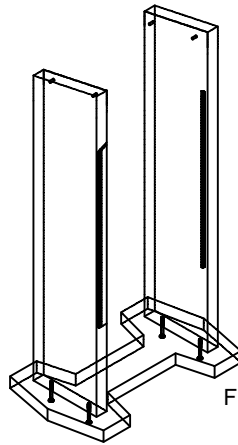


Figure 3

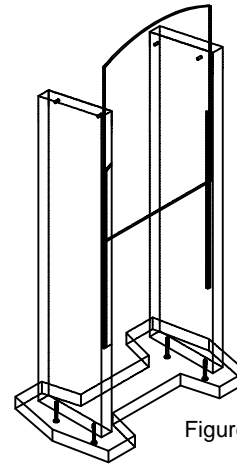


Figure 4

- A) Hold the stand vertical as illustrated in Figure 3 after Step#1.
- B) Softly slide the Clear Front Panel into the slots of the body sides until the side slots fully cover the edge of the Clear Front Panel.

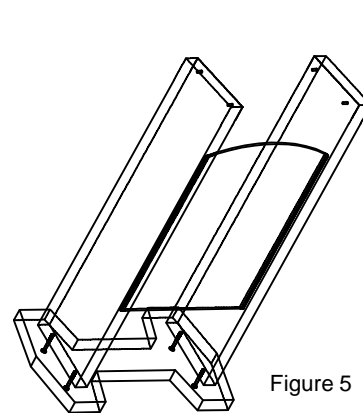


Figure 5

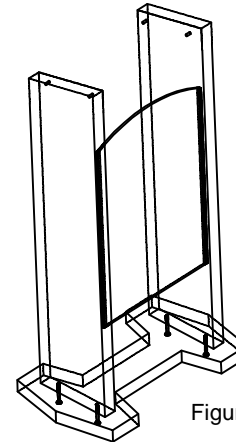
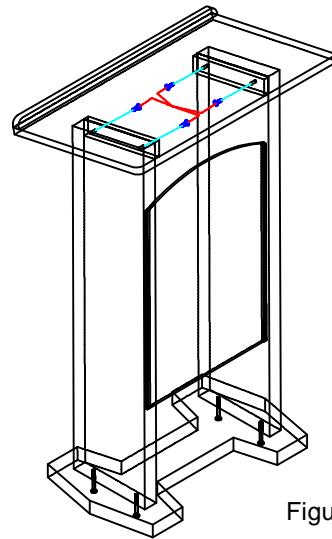


Figure 6

- C) Have your partner hold lectern forward as shown in Figure 5.
- D) Tighten the (4) Long Flat Head Screws that were installed in Step#1.

Step#3:
Attaching the Clear Reading Top to the Body Sides Top



- A) Position the Lectern on a clean flat surface.
- B) Align the pre-drilled holes in the Reading Top with the threaded inserts in the Body Sides.
- C) Using the provided screwdrivers, attach the Reading Top to the Body Sides with (4) Short Flat Head Screws as illustrated in Figure 7.

Figure 7