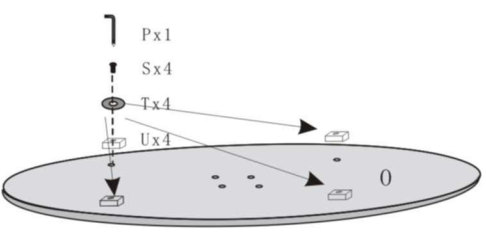
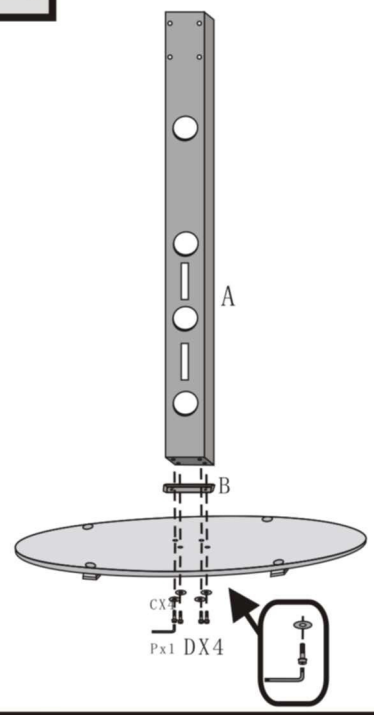


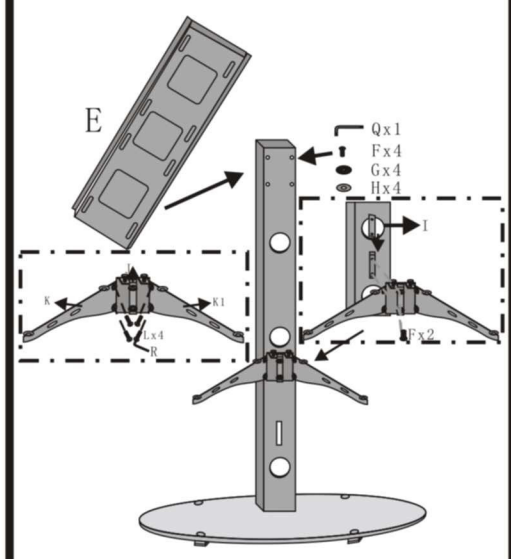
1.



2.

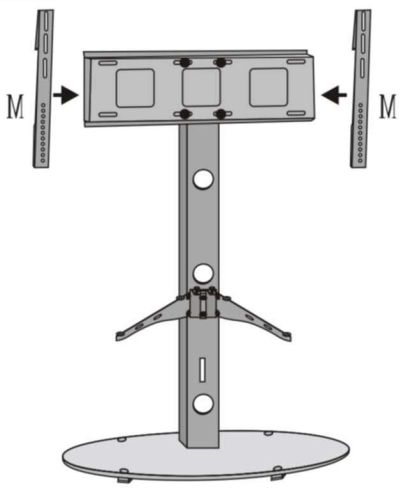


3.

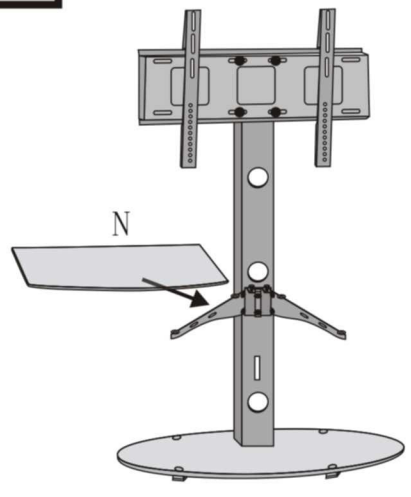


Assemble shelf holder with support brackets using K & J. Attach shelf holder by inserting support (I) into column and screwing them together.

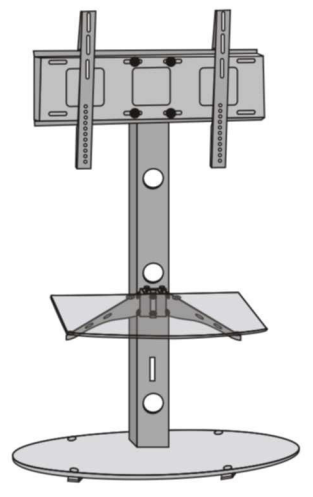
4.



5.



6.



- A 1
- B Black plastic 1
- C D8 L 4
- D M8x40mm 4
- E 1
- F M8x16mm 6

- G D10 Rubber
- H D8 S
- I Metal
- J
- K
- K1
- L

- 4
- 4
- 1
- 1 6mm
- 1 5mm
- 1 4mm
- 1 M8x10
- 4 Ø8x16
- 4
- 4