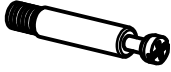


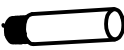
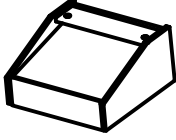
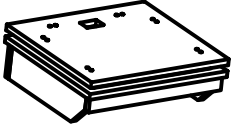
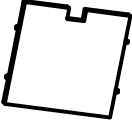
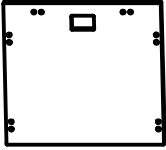
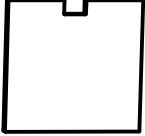
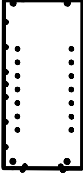
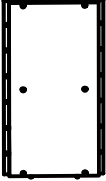
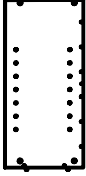
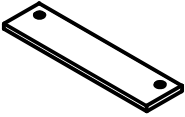
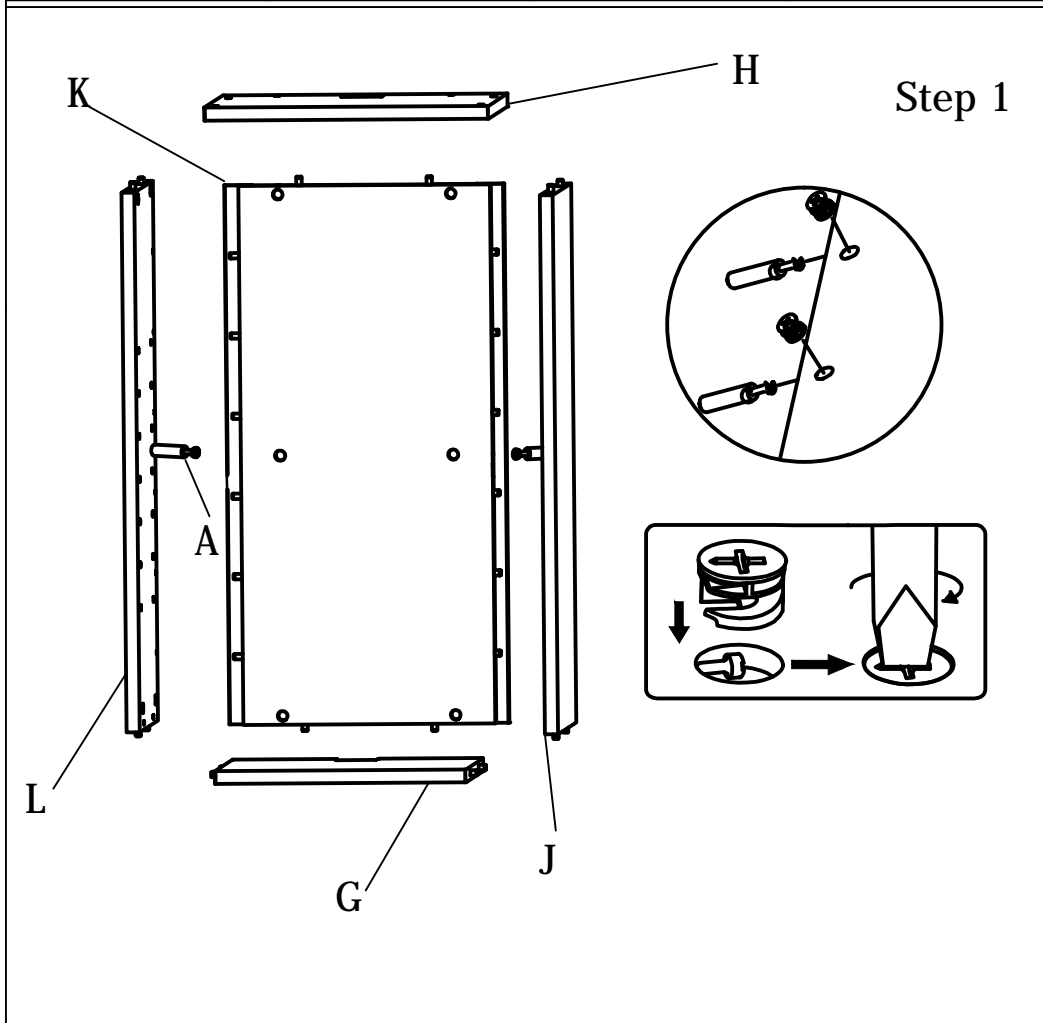


Assembly Instruction Sheet

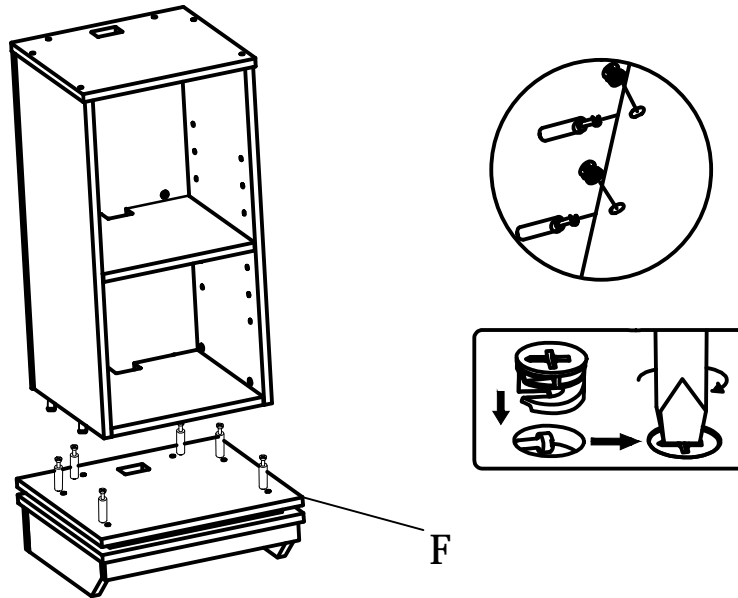
Item NO. XQH36C4

PART LIST

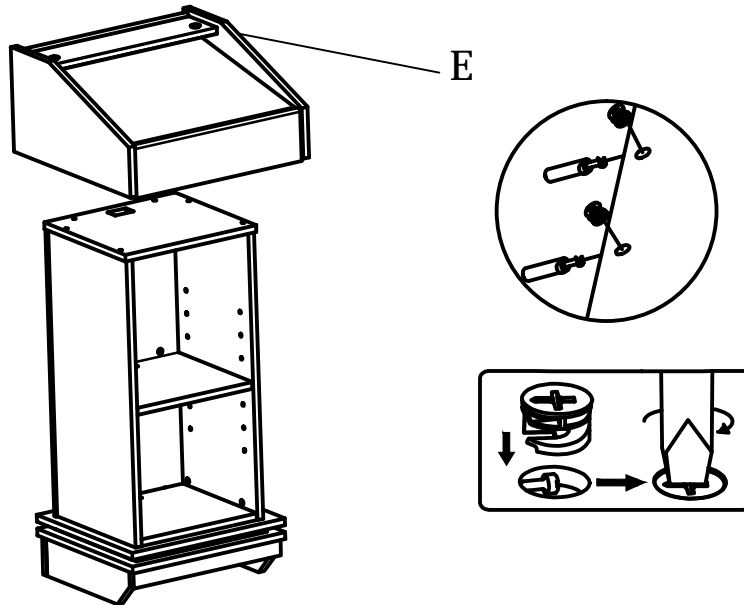
A	B	C	D	E
				
1/4"x40mm 14PCS	X14PCS	X14PCS	Shelf support 8PCS	Top 1PC
F	G		H	I
				
Base 1PC	Body-floor X1PC		Body-top X1PC	Body-shelf X1PC
J	K	L	M	
				
Body-right side panel X1PC	Body-front panel X1PC	Body-left side panel X1PC	Top shelf X1PC	



Step 2



Step 3



Step 4

