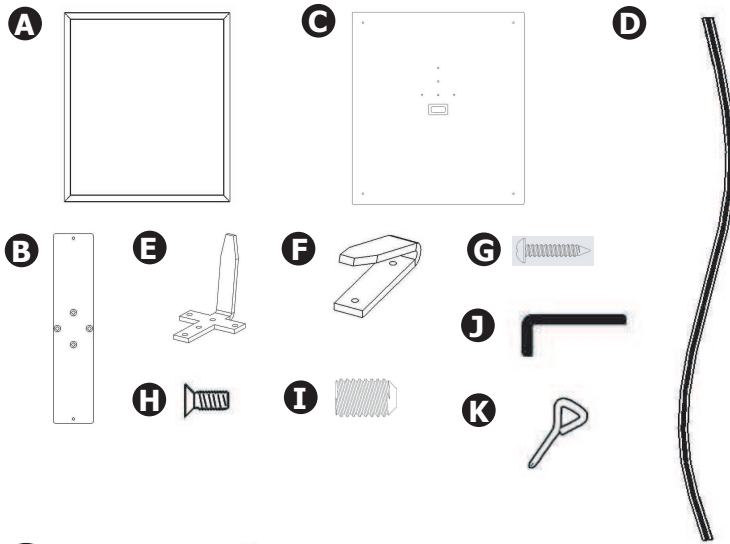
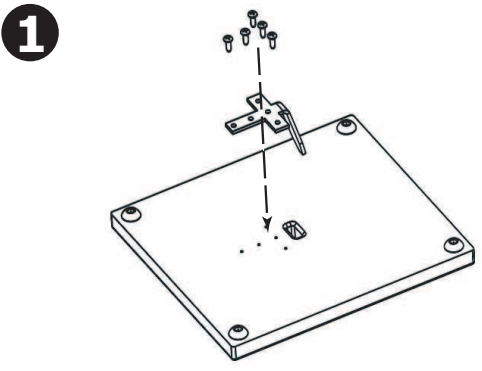


# • YCH w/ a Snap Frame Assembly Instructions •

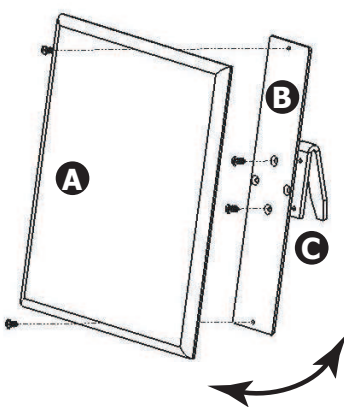


## • What Is In The Box •

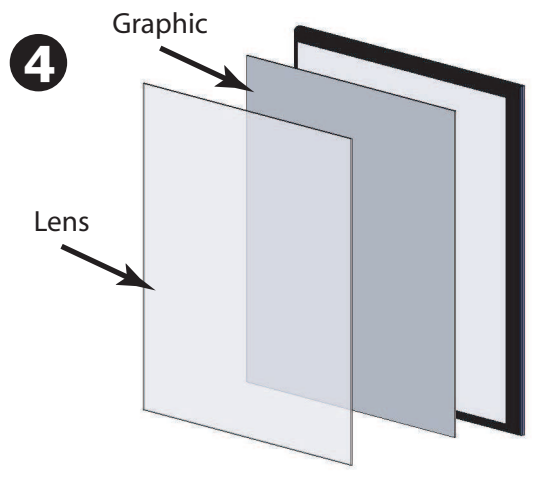
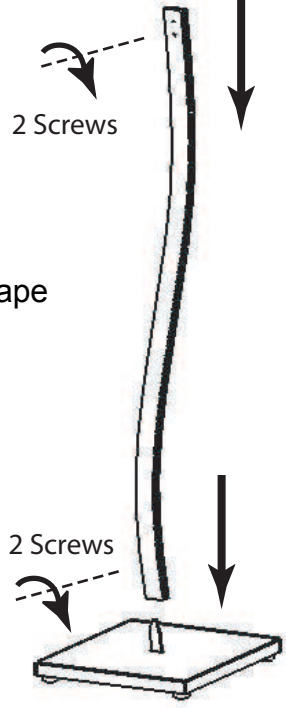
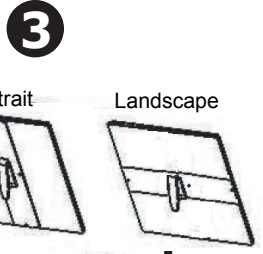
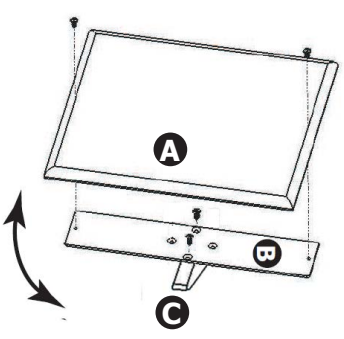
	Description	QTY
A.	Snap frame	1
B.	Frame	1
C.	Base	1
D.	Upright	1
E.	Base Bracket	1
F.	Sign Bracket	1
G.	Pan Head Screw	5
H.	Flat Head Screw	2
I.	Set Screw	4
J.	Hex Wrench	1
K.	Screwdriver	1
	Instruction Sheet	1



### 2 Option 1: Mount in portrait



### Option 2: Mount in landscape



## • Assembly Instructions •

- Using [5] pan head screws (H) screw base bracket (F) in place.
- With bevel of holes up and sign support on opposite face, align two of three holes in sign bottom (A) with two holes of sign support (E) to orient sign in portrait or landscape. Pass flat head screws (I) through holes and screw into sign bracket (G) using screwdriver (M).
- Insert Upright (D) into base bracket (F) as shown. Secure with [2] set screws (J) and hex wrench (L). Insert sign bracket (G) as shown into upright(D) and secure with [2] set screws (J) and hexwrench (L).
- Flip open all four side of Snap frame, remove protective lens and insert graphic. Re-install lens and close frame.